

Armitage Shanks  
Armitage  
Rugeley  
Staffordshire  
WS15 4BT

Tel 01543 490253  
Fax 01543 491677

[www.thebluebook.co.uk](http://www.thebluebook.co.uk)

*Armitage  
Shanks*

# part m solutions... what works and why

an informative guide to:  
part m washroom requirements

*Armitage  
Shanks*

## the essential specifiers series

If you would like to request the  
Hospital, Brassware, School  
or Office brochures from our  
'Essential Specifiers Series',

**call 0800 590311**



MIX  
Paper from  
responsible sources  
FSC® C081699



Armitage  
Shanks

In 1817 Thomas Bond founded the company that would become Armitage Shanks with a simple objective; to produce sanitary ware of exceptional quality. Over the last 190 years, investment in technology and traditional manufacturing skills has remained at the core of the business.

Armitage Shanks has a history of innovation, a tradition of product development and a commitment to sustainable design. These factors manifest in a comprehensive product range that is a 'one stop shop' for the specifier.

Part of the Essential Specifiers Series, a collection that will make the process of selecting the right product much simpler, this guide provides the information needed to ensure you meet the needs of your client and current legislation.

As the market leader Armitage Shanks believe they have a responsibility to help define the modern washroom. For almost two centuries they have literally set the standard.

For more information go to [www.barbourproductsearch.info](http://www.barbourproductsearch.info)

# your questions answered...

# the definitive guide to part m requirements

# where, who, when, what...

In summer 2006 a New Zealand climber reached the summit of Mount Everest. He did this without legs, having lost them to frostbite years before. While it is appropriate to be in awe of such an achievement, it is sobering to realise that until recently he would have found using a domestic toilet or public washroom almost as challenging. The introduction of the Disability Discrimination Act (DDA) in 2004 addressed this. It requires that every business providing goods or services to the public must take reasonable steps to ensure less able people have equal access to all aspects of their premises. By December 2006 all commercial and public buildings were required to be adapted for use by people with a physical or mental disability. The washroom requirements necessary for compliance with this Act are described in Part M of the Building Regulations.

Within the DDA is an expanded definition of the term 'disability' that opens up access issues to include people with long term physical or mental disabilities, and those whose condition is short term, such as pregnant women, adults with babies or even those carrying heavy luggage.

While many businesses expressed concern about the cost, they quickly realised that it made economic sense to comply. With the share of the adult population with a disability measured at fifteen percent, business quickly realised that the Act provided the opportunity to serve a further six million potential customers or to recruit from a bigger labour pool.

As the world's largest manufacturer of washroom solutions, and with a long history of catering for special needs users, Armitage Shanks has a responsibility to set the standard for disabled facilities and to help specifiers achieve compliance. We have worked closely with national organisations representing disabled groups in the preparation of this guide and believe it will provide concise and practical guidance in designing a washroom that fully satisfies the current legislation.

While this brochure is intended to provide information, guidance and practical advice about the new legislation, we would always recommend that you contact your local Buildings Regulations Department or consult a Planning Officer.

## Contents

### Information

- Scale of provision (p02)
- BS 8300 (p04)
- Features and benefits (p06)
- Washroom requirements (p08)
- Design considerations (p14)
- Location requirements (p16)

### Product offering

- Sensorflow 21 Doc M pack (p18)
- Contour 21 wall-mounted WC Doc M pack (p20)
- Contour 21 close coupled WC Doc M pack (p22)
- Standard Doc M pack (p24)
- Contour 21 back-to-wall WC concealed Doc M pack (p26)
- Contour 21 close coupled WC Doc M pack with standing height basin (p28)
- Contour 21 peninsular Doc M pack (p30)
- Contour 21 ambulant Doc M pack (p32)
- Contour 21 enlarged cubicle (p34)
- Contour 21 Doc M shower pack (p36)
- Product overview (p38)
- Grab rails (p44)
- Guarantee (p49)



**Q: what disabled toilet facilities are required in private residences?**

**A: facilities must be as outlined in section 10.3 of part M4 of the building regulations.**

**Q: what disabled toilet facilities are required in public or commercial buildings?**

**A: facilities must be provided as described in section 7 of BS 6465 and section 5.7 of part M3 of the building regulations.**

- In accordance with Part M, all new build dwellings must have a WC facility on the entry floor. Occupants should be able to reach the toilet from any habitable room on that floor without negotiating a stair.

Both the entrance to the property and the toilet must provide easy access for wheelchair users. The door to the toilet must open outwards and there should be clear access to the WC itself. An acceptable layout is illustrated on page 10.

Public and commercial properties vary in purpose, design and size. Part M ensures that washroom accommodation is suitable for all those who use them, no matter what the nature of the building. The provision of washroom facilities will satisfy BS 6465 and Part M in the following circumstances;

- In a building having only one toilet it must be unisex and accessible by wheelchair users. It will be of greater than standard width to accommodate the use of a standing height washbasin in addition to a low-level hand-rinse basin. A compliant Large Unisex Washroom layout is illustrated on page 09.
- In any building where washroom facilities are provided for visitors, customers or staff, a unisex wheelchair accessible toilet must be provided close to the location of each washroom. A compliant Standard Unisex Wheelchair Accessible Washroom is shown on page 11.
- In every male and female washroom, a WC cubicle must be provided for an ambulant disabled user within the range of standard WC cubicles. A compliant Ambulant Disabled Cubicle is featured on page 10.

- In a male or female washroom that has four or more WC cubicles, one must be an enlarged cubicle for use by those who require extra space. This is required in addition to an Ambulant Disabled Cubicle. A compliant Enlarged Cubicle is shown on page 10.

- In large public buildings such as sports arenas and shopping centres, a Large Unisex toilet capable of containing an adult changing bench must be provided. The minimum floor plan dimensions of which should be 3.0 x 2.2m.

Part M guidelines should be used alongside the Scale of Provision, BS 6465, applicable to each individual building type, as disabled toilets may be counted as part of its overall WC provision.

Specifiers should also refer to BS 8300 which works in conjunction with Part M. It provides detailed guidance on the needs of disabled people in the built environment and describes the size, layout and fittings appropriate to disabled toilet facilities.

**tables 1-5 (below): minimum scale of provision of sanitary appliances for domestic and non-domestic premises**

**table #1**  
**single toilet facilities – for further information see p09**

where you only have one toilet facility this needs to be a large unisex wheelchair accessible washroom

**table #2**  
**washroom facilities – for further information see p09 – 11**

washrooms must offer different types of cubicle;

- standard cubicles
- at least one ambulant cubicle per washroom
- for every four cubicles (including ambulant) you must have an enlarged cubicle
- where you have a washroom with more than one toilet you will need a unisex wheelchair accessible washroom by the main washroom

**table #3**  
**hotel\* facilities – for further information see p12**

1 in every 20 rooms must provide for disabled use  
 bedrooms deemed wheelchair accessible should have a 50:50 ratio of baths and showers

\*also applies to motels, relatives accommodation in hospitals and student accommodation

**table #4**  
**public shower facilities – for further information see p13**

if you are offering shower facilities at least one should be wheelchair accessible

**table #5**  
**residential bathroom facilities – for further information see p13**

new houses must have a wc facility on the entry floor suitable for wheelchair access

**Q: what is the primary concern of BS 8300 in relation to part m disabled toilets?**

**A: ensuring the physical locations of the sanitaryware and fittings provide space for a wheelchair user to safely and hygienically use the facility.**



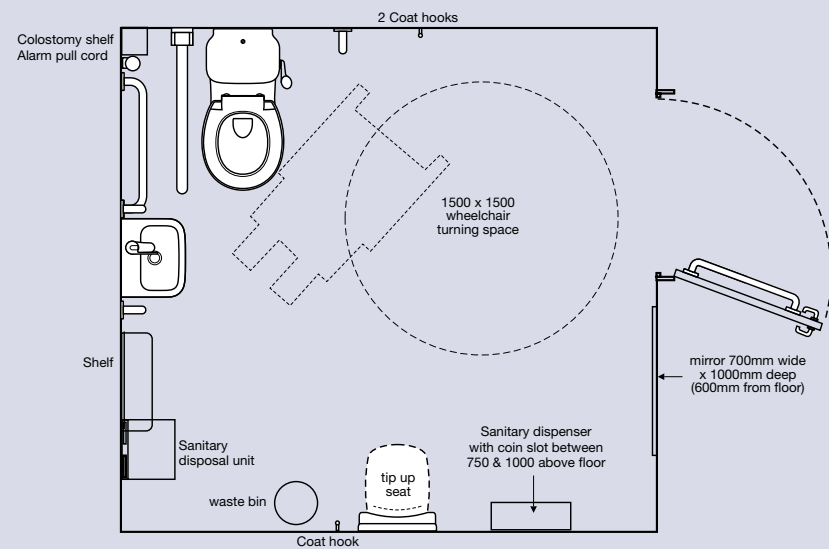
**BS 8300; Designing for the disabled**

The space required for an effective disabled toilet is driven by the needs of wheelchair users. Suitability is gauged by the ease with which a wheelchair user is able to approach, transfer to and then use the WC. Correctly positioning the WC, basin, fittings and grab rails, will allow the user to employ transfer techniques that promote independent, or assisted, use of the facilities.

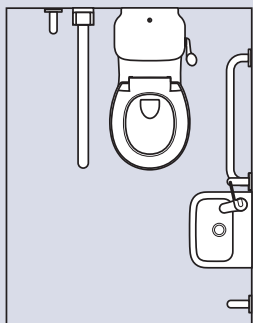
Above, S247301 Contour 21 37cm handrinse basin with left hand taphole. Opposite, S247401 Contour 21 37cm handrinse basin with right hand taphole.

BS 8300 also addresses the practical use of the room. A recent revision calls for the mixer to be positioned on the side of the basin closest to the WC, instead of a traditional central position, in order to allow users the opportunity to wash their hands from a seated position "before adjusting their dress".

Typical Part M layout showing transfer position



Left hand pack.

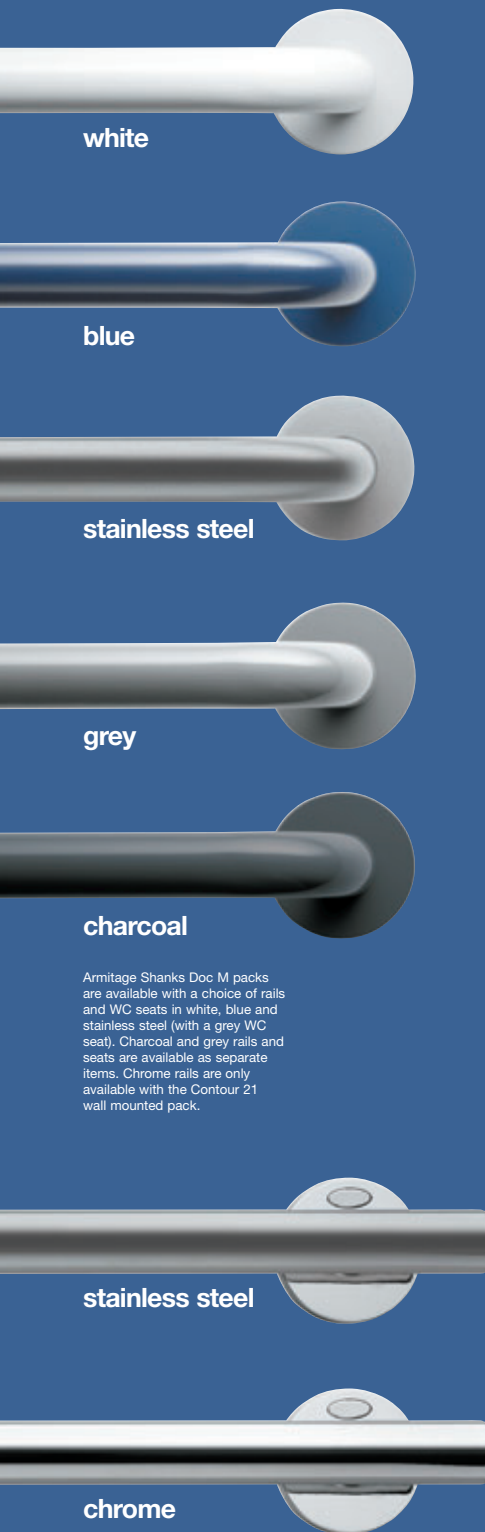


Right hand pack.



**Q: what are the primary characteristics of a modern washroom suitable for disabled use?**

**A: fitness for purpose is key. sanitary items must be easy to operate, tailored to a specific need and correctly positioned.**



white

blue

stainless steel

grey

charcoal

stainless steel

chrome

Armitage Shanks Doc M packs are available with a choice of rails and WC seats in white, blue and stainless steel (with a grey WC seat). Charcoal and grey rails and seats are available as separate items. Chrome rails are only available with the Contour 21 wall mounted pack.

**1. Fixed grab rails**

Available in white, grey, blue, charcoal, stainless steel or chrome to provide contrast with their background for visually impaired users. Each rail is made of 33mm diameter polyester coated aluminium (with the exception of the stainless steel and chrome rails), has concealed fixings for improved hygiene and security and is capable of supporting 200kg.

**2. Hinged support arm**

A robust support that folds up and out of the way, simplifying transfer from wheelchair to WC. Slip resistant contact surfaces enhance safety and promote confidence in the user. The hinged support arm can support 200kg when fixed using best practice.

**3. Contour 21 basin**

The perfect size for hand washing, this short projection 37cm basin has no overflow or chain hole, which minimises the risk of bacterial growth, while its compact size maximises the useable space available in the washroom. A revised BS 8300 calls for taps to be positioned on the side of the basin nearest to the WC. This will facilitate easier personal hygiene for the user, allowing them to rinse their hands from a seated position. Accordingly, Contour 21 hand rinse basins are now available with a choice of left or right tap holes.

**4. Contour 21 WC cistern**

A "screw-down" cistern lid, in line with the requirements of BS 8300, provides enhanced security and resistance to vandalism as well as contributing to the overall strength of the WC assembly. The Spatula flush lever is reversible for left or right hand use and ensures easy operation.

**5. Contour 21 WC**

The extended projection of the pan (75cm) negates the need for a spacer-box and combines with its raised height to ensure use is as easy as it can be. Close-coupled, wall-mounted and back-to-wall options flush an economical 4.5 ltr of water. The contemporary style is from the pen of award winning designer Robin Levien, RDI.

**6. Contour 21 WC seat**

The durable thermo-set seat raises the overall height of the WC to 48cm. BS 8300 compliant heavy duty seat retainers ensure the seat does not move during user transfer, aiding the efficiency of the process. A range of colours, white, grey, blue and charcoal improve contrast for the visually impaired.

**7. Contour 21 thermostatic mixer**

A precise thermostat ensures that users will not be scalded and, because it is integral within the mixer body, eliminates the 'dead-leg' that can occur between a mixer and remote thermostat. The easy turn single lever caters for 'closed fist' operation, giving users total control even when the handle is wet.



1. Concealed fixings on grab rails

1. Grab rails available in a range of colours

1. Aluminium grab rails with 5 year guarantee

2. Hinged support arm tested to 200 kg.

7. Contour 21 Thermostatic Basin Mixer with long easy turn handle and built in thermostat

3. No overflow on basin to avoid haven for bacteria

4. Cistern securing bolt

5. Spatula cistern lever for easy flush

5. 4.5 litre flush WC

5. Seat retainers keep seat secure when transferring to WC

6. WC seat available in a range of colours

3. Rigid copper tails discourage bacteria growth and reduce the risk of contamination.

3. Right hand tap position to facilitate easier access for the user

5. New contemporary design WC

5. Available as close coupled, back-to-wall or wall hung

5. No spacer boxes on WCs... all WCs purpose designed for Part M

Contour 21 close coupled WC Doc M Pack (p22).

**Q: what is required in a washroom facility?**

**A: the revised disability discrimination act requires ‘that all suppliers of services, goods and facilities to the general public must remove all physical barriers where deemed reasonable’.**

**so if you are offering or required to offer toilet facilities to your customers, clients or employees, you must make reasonable provision for everyone of all levels of ability including wheelchair users.**

Contents

What is required in...

Single toilet and washroom facilities

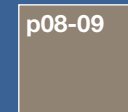
- Large unisex washroom (p09)
- Standard cubicle (p09)
- Ambulant disabled cubicle (p10)
- Enlarged cubicle (p10)
- Unisex wheelchair accessible washroom (p11)
- Four cubicle combination (p11)

What is required in...

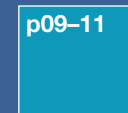
Hotel, public shower and residential facilities

- Hotel facilities, including hotel bathroom and hotel shower room (p12)
- Public shower facilities (p13)
- Residential WC facilities (p13)

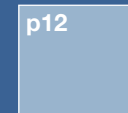
**key**



Single toilet facilities



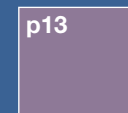
Washroom facilities



Hotel facilities



Public shower facilities



Residential bathroom facilities

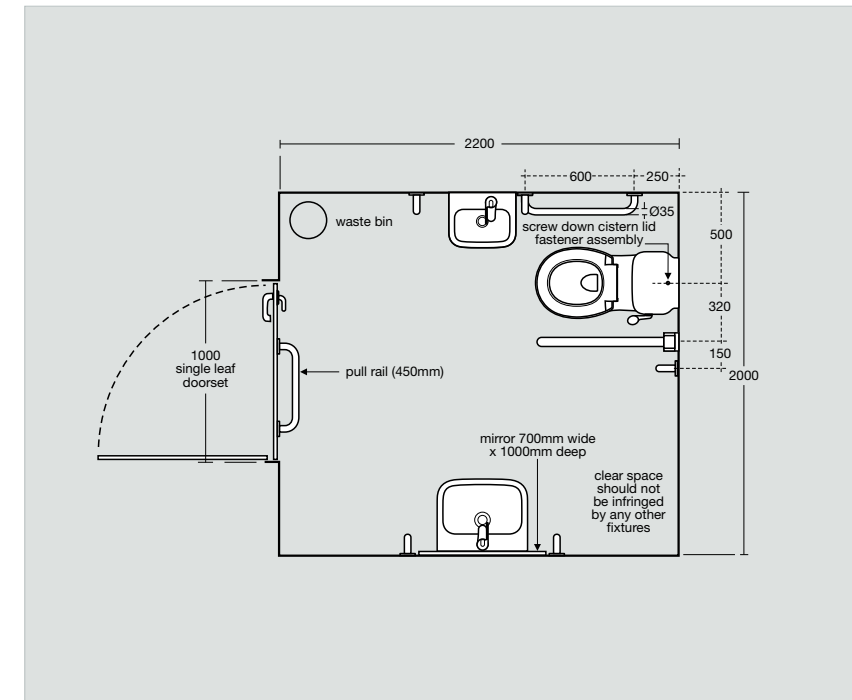
part m requirements – building	
toilet facilities in a building	requirements
where you have only one WC	<b>the toilet must be unisex and accessible by wheelchair users. the layout of the room has to be wider than normal to accommodate a standing height basin.</b>
where you have a pair of separate male and female washrooms	<b>you will need one unisex wheelchair accessible washroom located by each pair of washrooms.</b>

part m requirements – washroom	
washroom facilities	requirements
all washrooms	<b>have to have one ambulant cubicle.</b>
washrooms of four or more cubicles	<b>have to have an enlarged cubicle in addition to the ambulant cubicle.</b>

**single toilet facilities**

Where you only have one toilet facility this needs to be a large unisex wheelchair accessible washroom.

**large unisex washroom**



**Large unisex washroom**

- Room size 2200 x 2000mm.
- Wall hung handrinse basin.
- Additional standing height basin.
- Raised height WC (must be 480mm high including seat with 750mm projection).
- Door must open outwards.
- Must be unisex – no longer acceptable to have solely within male or female washroom.
- Thermostatic mixer tap TMV3 approved.

**Grab rails**

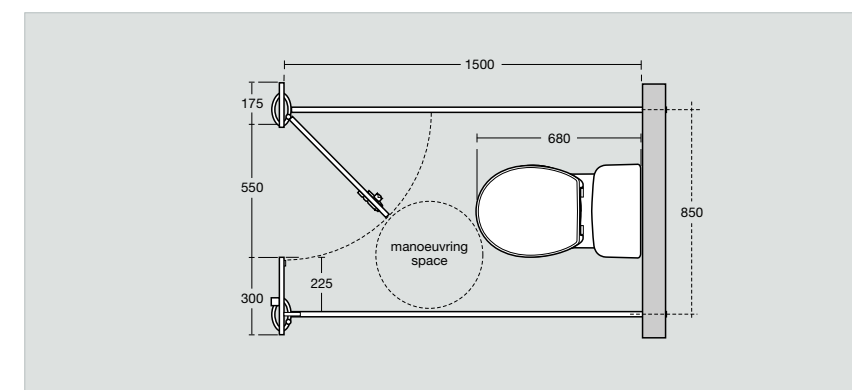
- 2 x 600mm vertical grab rails above basin.
- 2 x 600mm vertical grab rails by standing height basin.
- Hinged support arm by WC.
- Vertical grab rail alongside WC 1 x 600mm.
- 1 x 600mm with 100mm projection horizontal grab rail on opposite side of WC.
- 450mm horizontal grab rail on back of door.

**washroom facilities**

Washrooms must offer different types of cubicle;

- standard cubicles
- at least one ambulant cubicle per washroom
- for every four cubicles (including ambulant) you must have an enlarged cubicle

**standard cubicle**



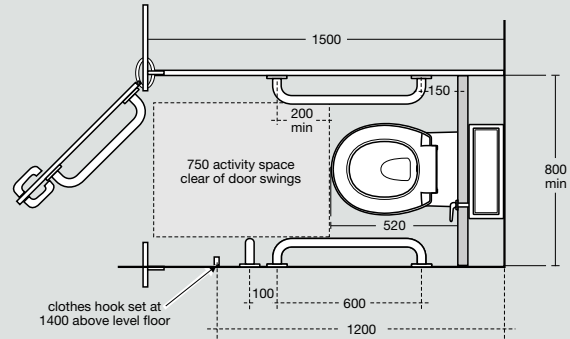
**Standard cubicle**

- Must have 450mm diameter manoeuvring space.
- Must be a minimum of 750mm wide.
- Doors will ideally open outwards but can open inwards.
- If doors open inwards, they must not infringe on activity space.
- Inward opening doors must be able to be unlocked from the outside and lifted off their hinges.

## washroom facilities

Washrooms must have at least one ambulant cubicle.

### ambulant disabled cubicle



#### Ambulant disabled cubicle

- Must have a minimum of one per washroom.
- Must be 800mm wide.
- Must have two horizontal grab rails.
- Optional vertical grab rail.
- Door swing must have 750mm clearance from front edge of WC.
- Door must be outward opening.
- Raised height WC (must be 480mm high including seat).

#### General usage

Provides activity space for people who use crutches or have impaired leg movement.

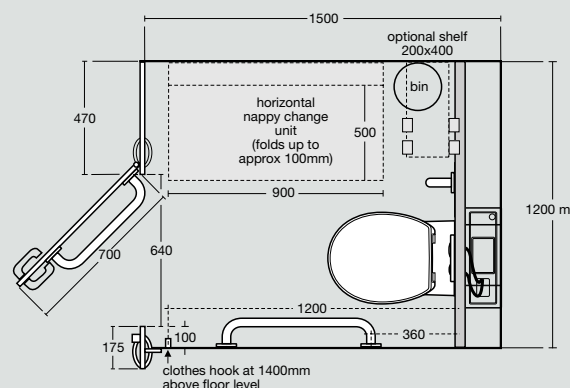
Helps avoid unnecessary travel to unisex toilet.

Raised WC helps people who find it difficult to use a standard height WC.

N.B. Close coupled version also available

For every four cubicles, including an ambulant, there must be an enlarged cubicle.

### enlarged cubicle



#### Enlarged cubicle

- Must be minimum 1200mm wide.
- Must have one horizontal and one vertical grab rail set around WC.
- Must have a horizontal closing bar on the door.
- Must have a shelf.
- Must have a folding baby table unless a separate facility is provided adjacent to the washroom.

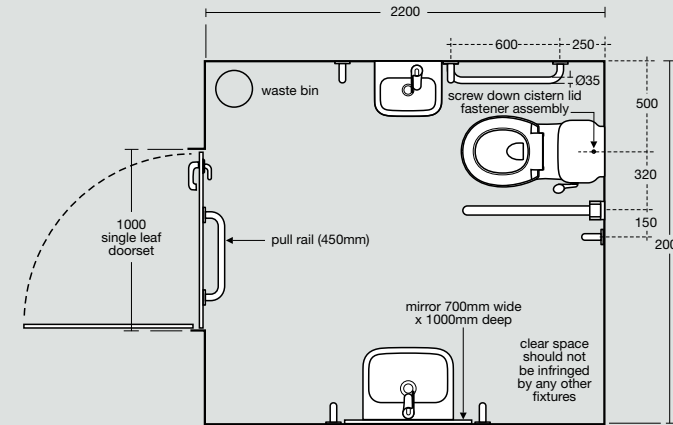
#### General usage

Used by people who need extra space (e.g. people with babies or small children, people carrying luggage and the ambulant disabled).

## washroom facilities

Where you have a washroom with more than one toilet you will need a unisex wheelchair accessible washroom (see below and overleaf).

### unisex wheelchair accessible washroom



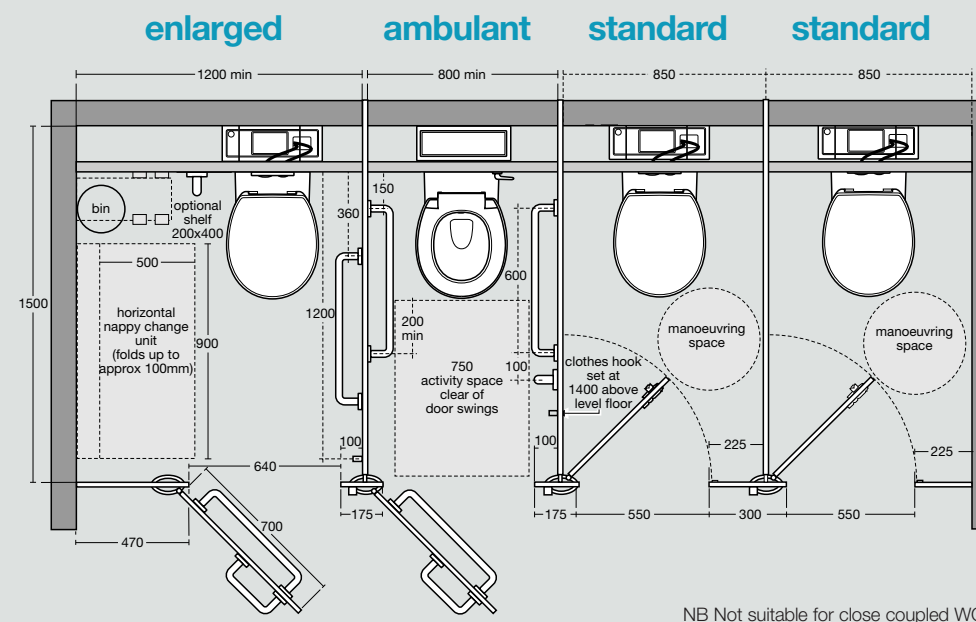
#### Unisex wheelchair accessible washroom

- Room size 2200 x 1500mm.
- Door must open outwards.
- Must be a unisex facility.
- Must have wall hung basin.
- Raised height WC (must be 480mm high including seat with 750mm projection).

#### Grab rails

- 2 x 600mm vertical grab rails above each basin.
- Hinged support arm by WC.
- Vertical grab rail alongside WC 1 x 600mm.
- 1 x 600mm with 100mm projection horizontal grab rail on opposite side of WC.
- 450mm horizontal rail on back of door.

### four cubicle combination



#### Four cubicle combination

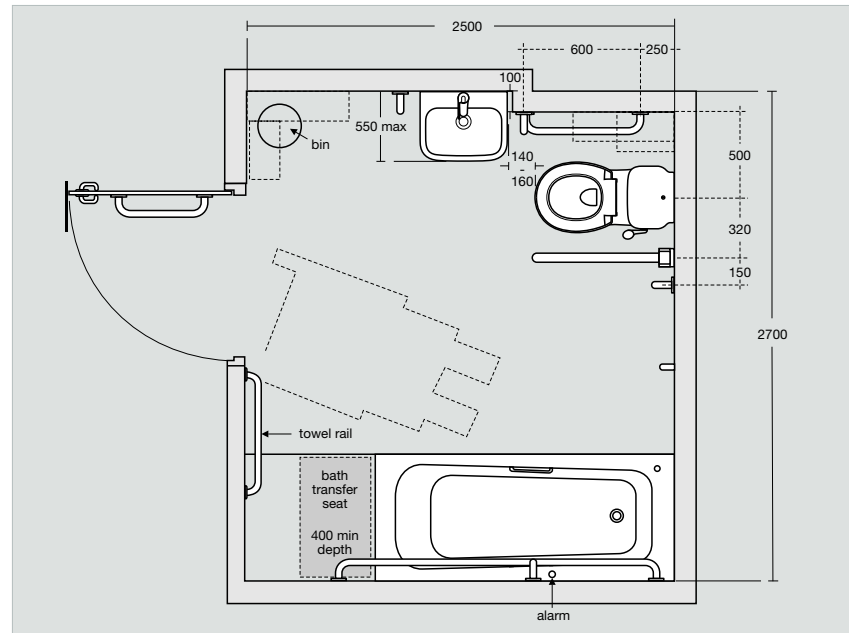
- Layout shows an example of a four cubicle washroom.
- All washrooms must have one Ambulant cubicle.
- For every four cubicles (including Ambulant) you must have an Enlarged cubicle.

NB Not suitable for close coupled WCs.

### Q: what is required in a hotel\* facility?

1 in every 20 rooms must provide for disabled use.

#### hotel part m bathroom

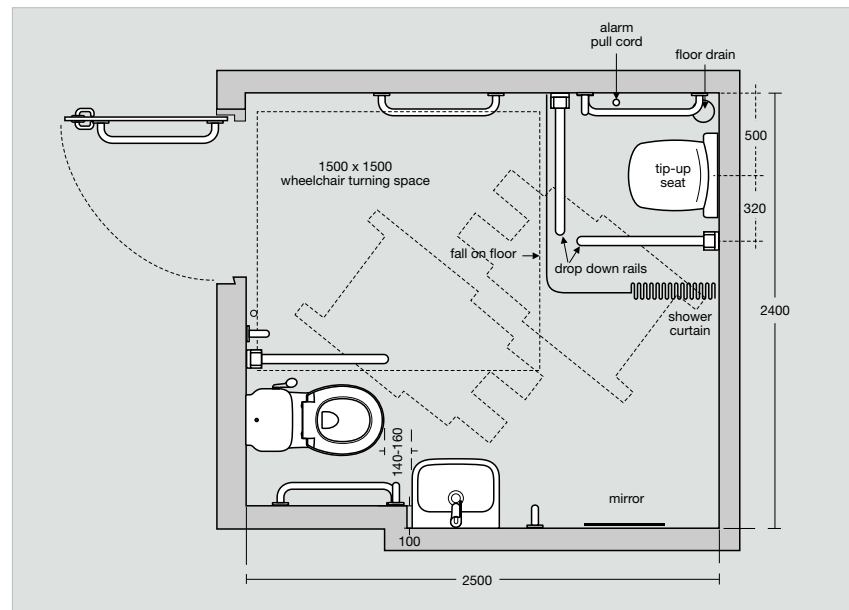


#### Hotel part m bathroom

- All users should be able to wash or bathe independently or with assistance from others.
- A choice of bathroom layout, wherever possible will meet more needs. Layout should accommodate left and right hand transfer when there is more than one bathroom.
- Floor must be slip resistant.
- Bath needs a transfer seat 400mm deep and as wide as the bath.

Bedrooms deemed wheelchair accessible should have a 50:50 ratio of baths and showers.

#### hotel shower room



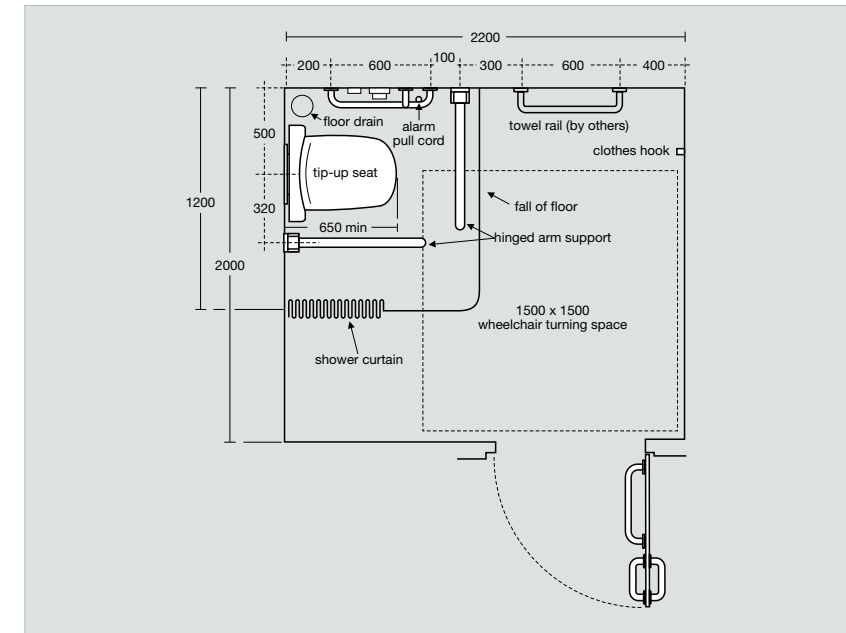
#### Hotel shower room

- Half the wheelchair accessible bedrooms should have shower facilities to offer an alternative from baths.
- Floor must be slip resistant.
- A shelf should be situated so it can be reached from the shower seat or wheelchair for toiletries.
- Thermostatic shower with logical and clear markings.

### Q: what is required in public shower facilities?

If you are offering shower facilities at least one should be wheelchair accessible.

#### public shower facilities



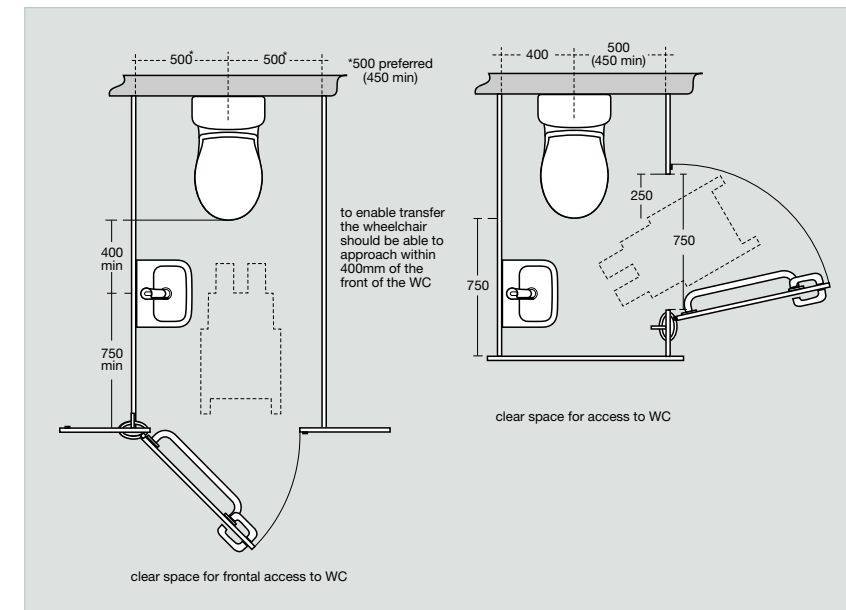
Public shower facilities  
e.g. Sports centres, swimming pools  
and health and leisure centres

- At least one wheelchair accessible facility should be installed.
- Layout must allow privacy and space for assisted care.
- Controls should be positioned between 750 and 1000mm from the floor.
- Facility must have slip-resistant flooring.
- Thermostatic shower with logical and clear markings.
- Both fixed head and adjustable shower kit are required.

### Q: what is required in residential wc facilities?

New houses must have a WC facility on the entry floor suitable for wheelchair access.

#### residential wc facilities



#### Residential WC facilities

- Must provide WC facility on entry floor of new buildings.
- Doors must open outwards.
- Entrance to property and WC facilities must allow for wheelchair access.
- Must allow clear access to WC facilities.
- Washbasin must not impede the wheelchair.

\*also applies to motels, relatives accommodation in hospitals and student accommodation

**Q: does part m only address product choice and washroom layout?**

**A: no, part m provides guidance on the role that surface texture and colour play in creating an effective disabled washroom.**

**Surface finishes**

The colours of wall and floor finishes in a Part M washroom must have a minimum of a 20 point difference in their light reflectance value (luminance). A differential of at least 30 points is in line with current best practice. The simple colour contrast created by this will help the visually impaired to safely and efficiently navigate the washroom.

- All sanitary fittings, including grab rails, must contrast visually with background wall and floor colours.
- Wall finishes and floor coverings must contrast with each other in terms of colour and texture.
- A luminance differential of at least 20 points is mandatory.
- The floor surface in all disabled washrooms should be non-slip.

**Luminance explained**

Luminance is a measure of the density of luminous intensity. It describes the amount of light that is emitted from a specific area.

**The SI unit of luminance is the candela per square meter, the cd/m<sup>2</sup>.**

The luminance of a surface characterises the emission, or reflection, from that surface. It indicates how much luminous power will be perceived by an eye looking at the surface. In essence it indicates how bright a colour finish will appear.

**luminance in the spotlight**

The colour chart below shows finishes which have at least a 20 point luminance differential between them. When these colours are applied to a Part M washroom the striking contrast between each element can be clearly seen.



**Q: do areas within part m relate to the safety of disabled users?**

**A: the majority of part m relates to access issues, however several sections relate to the unique safety issues to be considered in a disabled washroom.**

key points at a glance
- All fittings must contrast visually with background wall and floor colours
- A 20 point luminance difference is mandatory, 30 points is recommended
- Taps must be useable with a 'closed fist' by those with limited dexterity
- Cubicle doors must be able to open outwards in an emergency

**Taps**

Reduced manual dexterity and impaired touch sensitivity are common within the disabled community. These issues are particularly important when considering the choice of taps in the washroom. Part M specifies that a compliant tap must be operable by 'a closed fist', taps such as lever action, push button or infrared activation would readily achieve this objective.

Limited sensitivity may cause some users to scald their hands on high temperature water. To combat this the use of a thermostatically limited water supply is recommended.

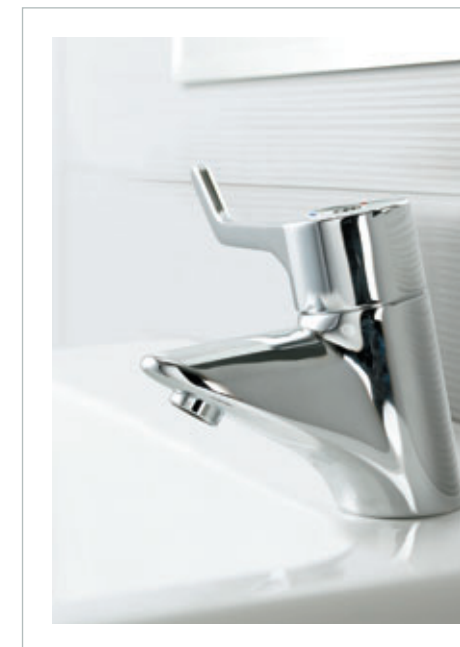
- All taps must be operable by a closed fist.
- Water emitted from taps must be thermostatically limited to 43°C maximum.
- Hot and cold taps or settings must be clearly marked by visible and tactile methods.

**Cubicle doors**

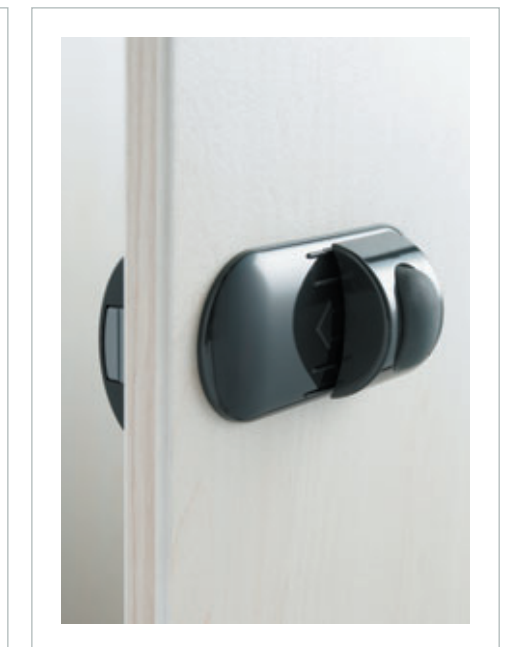
WC compartment or cubicle doors should be fitted with light action privacy bolts so that they can be operated by users with limited dexterity and strength. Self-closing doors should only require a force of 20N to open them. For emergency access the door should have an emergency release system that enable the door to be opened outward, allowing first responders to assist the occupant.

- Doors must be opened with minimal force, using a closed fist.
- Where possible, cubicle doors should open outwards.
- Inward opening doors must not encroach on the minimum required activity space.
- Inward opening doors should be able to be unlocked from the outside and lifted off their hinges.

**taps**



**cubicle doors**



**Q: where should disabled facilities be located?**

**A: as close to the main entrance as possible and adjacent to main washroom facilities.**

**key points at a glance**

- Part M section 5.10 outlines the locations for disabled washrooms
- A facility must be sited in a building's reception area
- WCs should be located in the same place on each floor
- Users should only have to travel a maximum of 40m to a WC
- Users should only have to travel a maximum horizontal distance of 40m to a WC

**part m washrooms solutions**

**typical building layout**

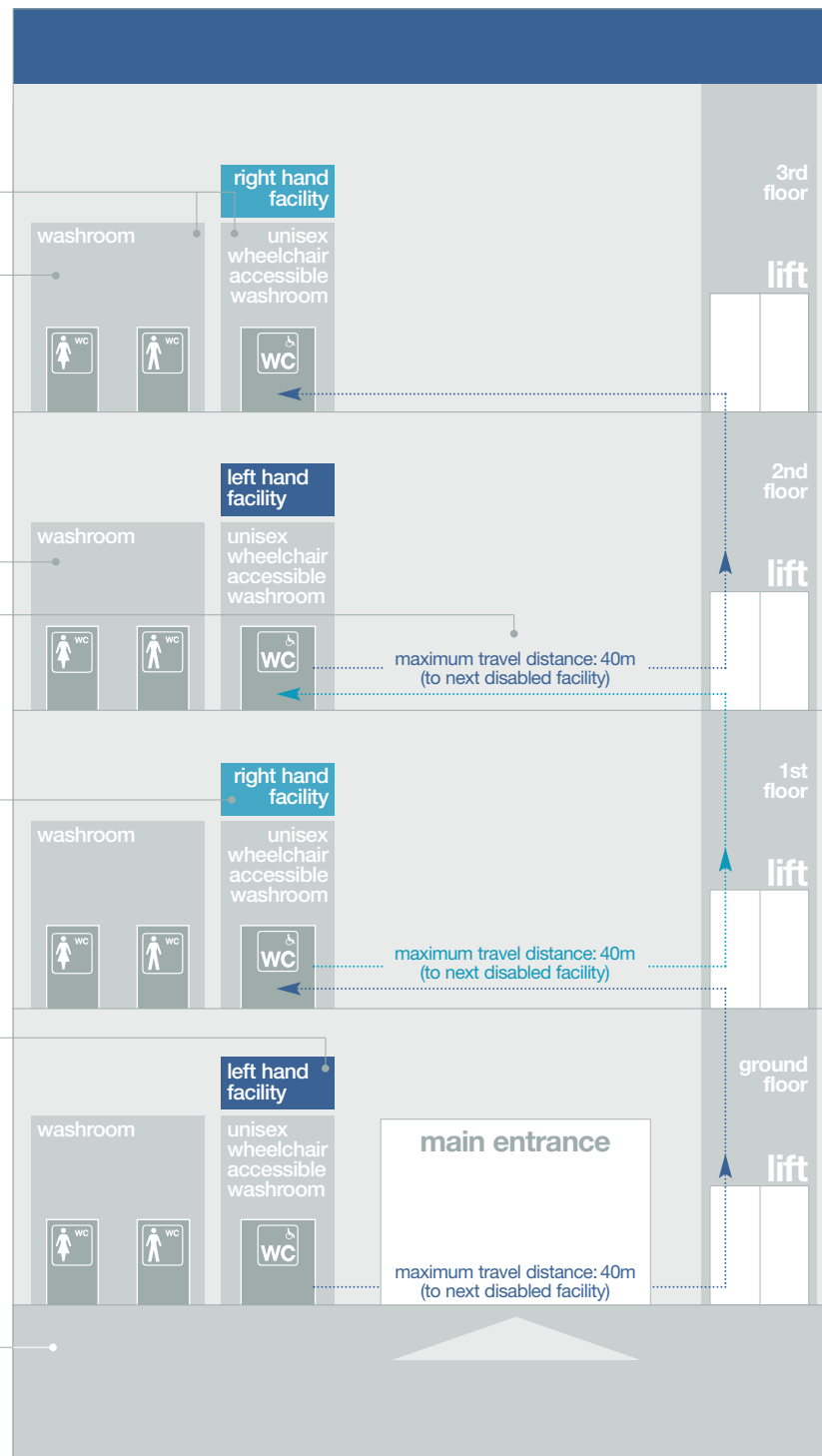
Able-bodied and disabled facilities must be located next to each other.

Washrooms/WCs must be sited in similar locations on all floors.

A disabled facility should never be more than 40m away at any time. When the nearest disabled WC is on another floor the combined *horizontal* distance the user travels must not exceed 40m.

Washrooms must have left and right-hand facilities on alternate floors.

At least one WC facility should be located as near to the main entrance as practicable.



*Armitage  
Shanks*

For more information go to [www.barbourproductsearch.info](http://www.barbourproductsearch.info)

## sensorflow 21 doc m pack

Striking contemporary design and proven Sensorflow technology create a state of the art Part M compliant facility, whose sensor activated electronic basin mixer and WC flush eliminate the need for manual operation.

Sensorflow 21 Doc M pack - product codes	
Left hand	Right hand
■ S6986AA White with chrome rails and white seat.	■ S6987AA White with chrome rails and white seat.



Wall mounted basin without overflow for additional hygiene and right or left hand tap position for easier access.

Compact deck mounted basin fitting with built in sensor.

Sensor is activated electronically eliminating the need for manual operation.

Wall mounted WC designed for easy wheelchair access.

4.5 litre water saving flush.

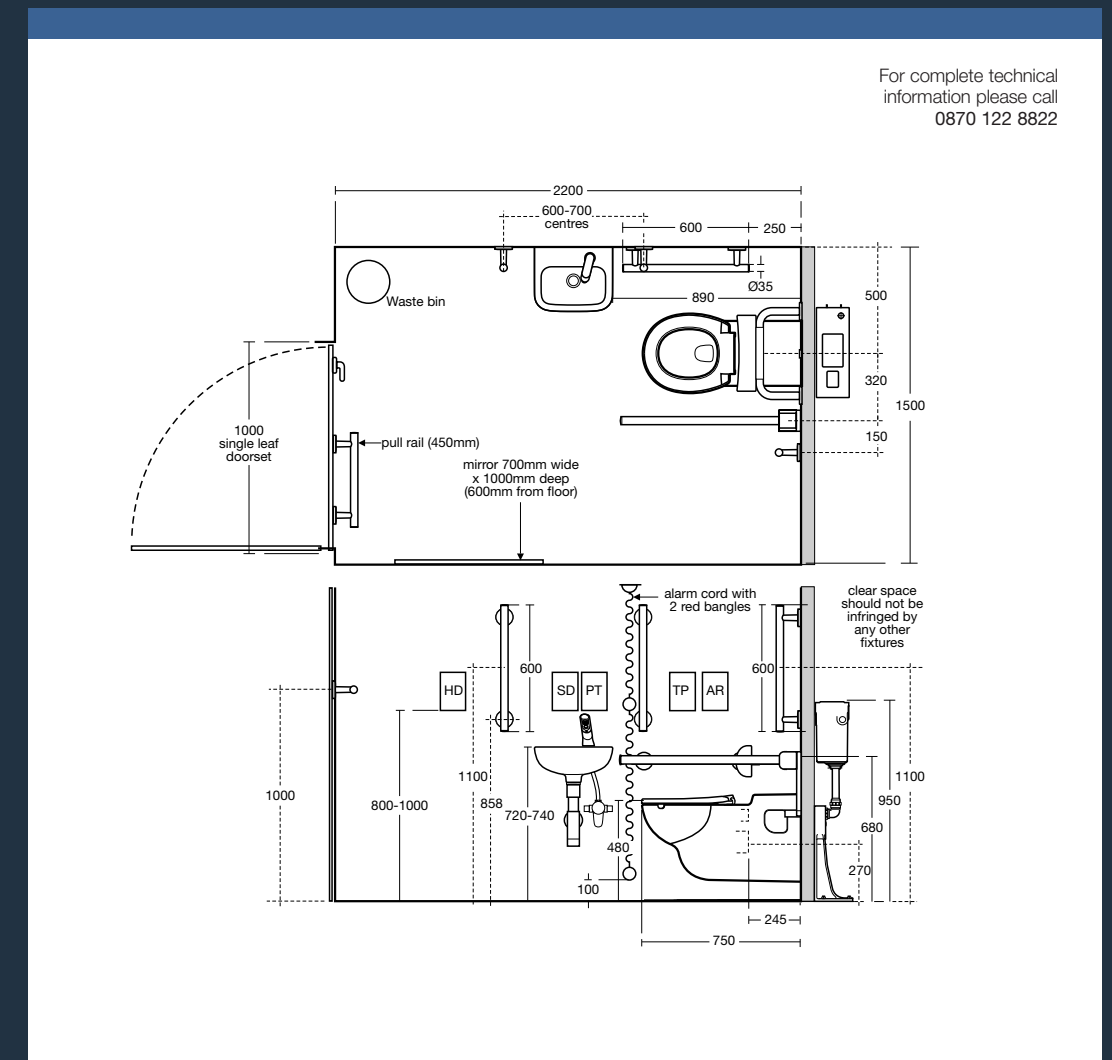
Luxury back support.

Surface mounted electronic WC flush control, activated by hand movement in front of the sensor eliminating the need for manual operation.

Toilet roll holder.

Stylish concealed fixings grab rails in chrome.

Lightweight luxury aluminium hinged support arm.

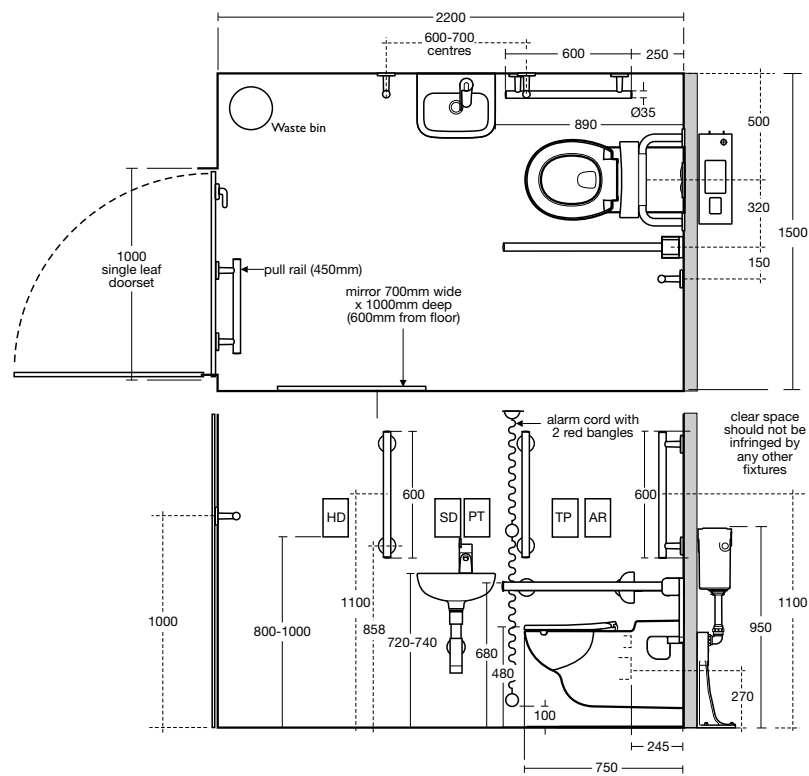


## contour 21 wall-mounted WC doc m pack

Clean modern lines and elegant fixtures lift this pack beyond the users level of expectation. From the wall-hung WC to the chrome or satin finish grab rails this is a disabled washroom of distinction.

Contour 21 wall-mounted WC Doc M pack - product codes	
Left hand	Right hand
■ S6972AA White with chrome rails and white seat.	■ S6973AA White with chrome rails and white seat.
■ S6972MY White with stainless steel rails and grey seat.	■ S6973MY White with stainless steel rails and grey seat.

For complete technical information please call 0870 122 8822



Wall mounted basin without overflow for additional hygiene and right or left hand tap position for easier access.

Thermostatic Sequential Mixer. TMV3 approved to prevent scalding.

Thermostat is within mixer (not separate as with other suppliers). This cuts down risk of legionella bacteria forming between separate thermostat and mixer.

Easy operation handle.

Wall-mounted WC designed for easy wheelchair access.

4.5 litre water saving flush.

Luxury back support.

Push button flushing control.

Toilet-roll holder.

Stylish concealed fixing grab rails finished in chrome or stainless steel.

Lightweight luxury aluminium hinged support arm.

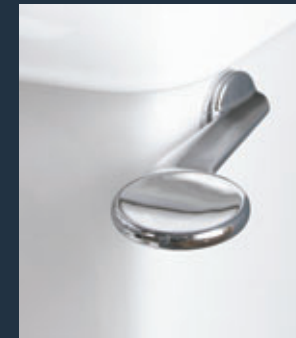
LANTAC approved.



For more information go to [www.barbourproductsearch.info](http://www.barbourproductsearch.info)

## contour 21 close coupled WC doc m pack

LANTAC approved, this economical, simply styled, practical pack features a raised height WC, thermostatically controlled mixer, spatula flush lever and grab rails tested to over 200kg.



Spatula lever

Wall mounted basin without overflow for additional hygiene and right or left hand tap position for easier access.

Thermostatic Sequential Mixer. TMV3 approved to prevent scalding.

Thermostat is within mixer (not separate as with other suppliers). This cuts down risk of legionella bacteria forming between separate thermostat and mixer.

Easy operation handle.

Raised height WC set at 480mm for wheelchair height access.

4.5 litre water saving flush.

Cistern lid is screwed down to cistern for improved safety.

Spatula lever on cistern for easy flushing with hand or elbow.

Toilet-roll holder.

Concealed fixing grab rails tested to 200kg weight.

Hinged support arm tested to 200kg.

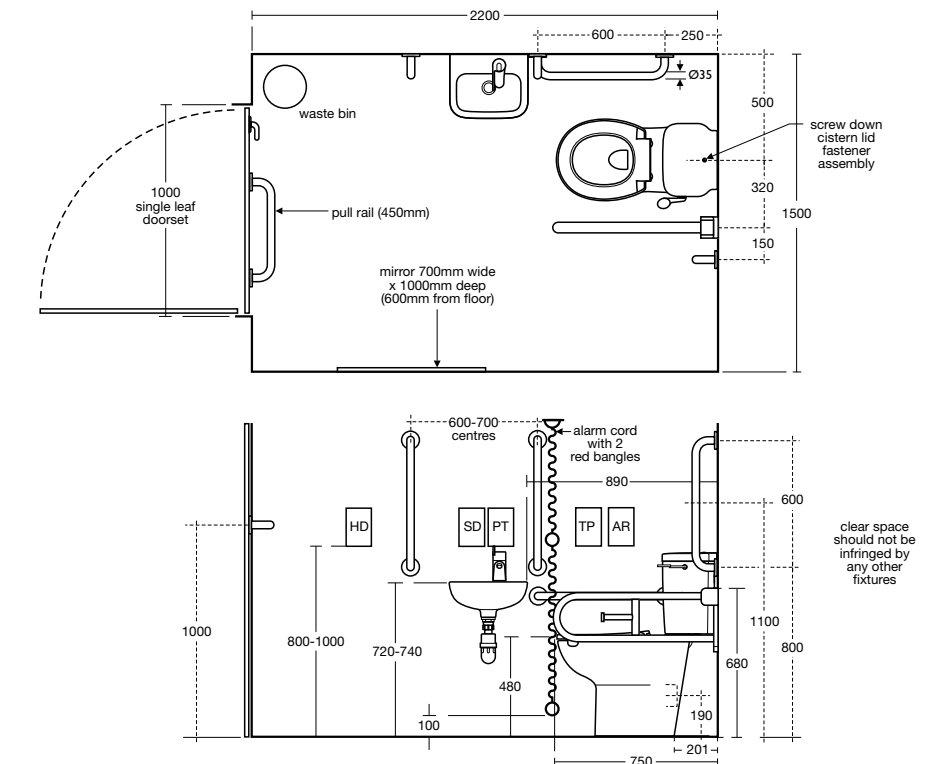
Available with white or blue rails and seat or with stainless steel rails and grey seat.

LANTAC approved.

Contour 21 close coupled WC Doc M pack - product codes

Left hand	Right hand
■ S6966AC White with white rails and seat.	■ S6967AC White with white rails and seat.
■ S6966LI White with blue rails and seat.	■ S6967LI White with blue rails and seat.
■ S6966MY White with stainless steel rails and grey seat.	■ S6967MY White with stainless steel rails and grey seat.

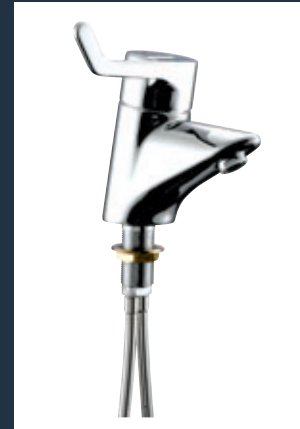
For complete technical information please call 0870 122 8822



## standard doc m pack

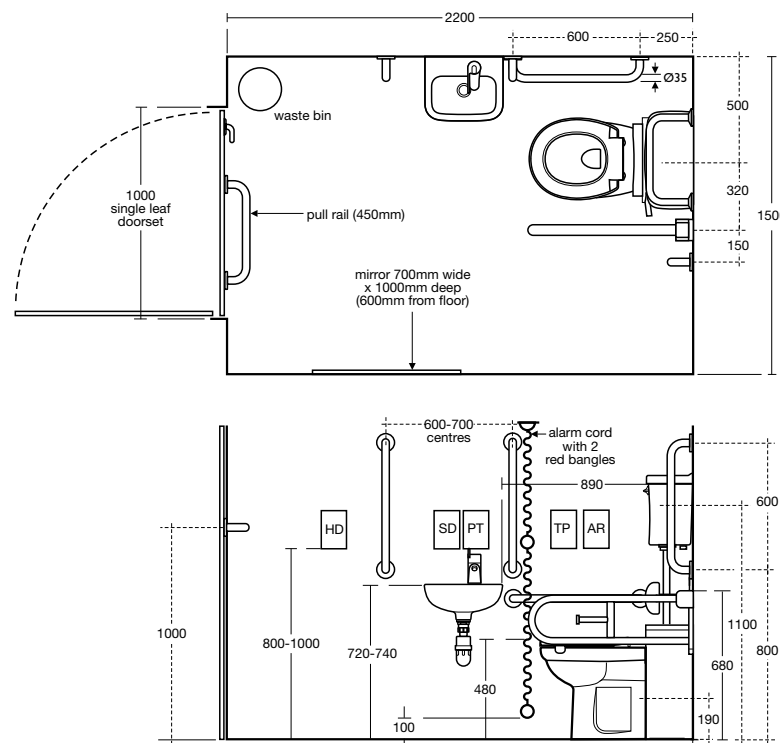
Solid and simple. Comfortable and compact. With a raised height WC and spacer box providing the easiest possible wheelchair to WC transfer, the standard pack is all you need in a disabled washroom.

Bacteria can quickly multiply in the dark, damp crevices created by the ridged interior of the flexible hoses supplied with many mixers. Armitage Shanks offer precision machined copper tails whose smooth bore discourages bacteria growth and reduces the risk of contamination.



Standard Doc m pack - product codes	
Left hand	Right hand
■ S6984AC White with white rails and seat.	■ S6985AC White with white rails and seat.
■ S6984LI White with blue rails and seat.	■ S6985LI White with blue rails and seat.

For complete technical information please call 0870 122 8822



Wall mounted basin without overflow for additional hygiene and right or left hand tap position for easier access.

Thermostatic Sequential Mixer. TMV3 approved to prevent scalding.

Thermostat is within mixer (not separate as with other suppliers). This cuts down risk of legionella bacteria forming between separate thermostat and mixer.

Easy operation handle.

Raised height WC set at 480mm, to top of seat, for wheelchair height access.

4.5 litre water saving flush.

WC back support cushion for improved comfort.

Spacer box provides correct WC projection for wheelchair access.

Concealed fixing grab rails tested to 210kg.

Hinged support arm tested to 190kg.

Available with white or blue rails and seat.

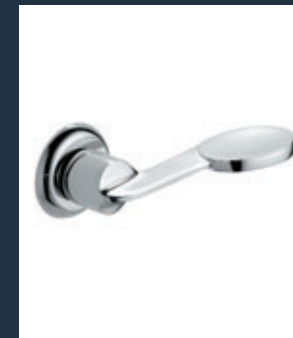
LANTAC approved.



For more information go to [www.barbourproductsearch.info](http://www.barbourproductsearch.info)

## contour 21 back-to-wall WC concealed doc m pack

For washrooms having concealed cisterns, this pack is the perfect partner. A 480mm high WC is fed by a cistern hidden by block-work or panelling, to minimise clutter and maximise hygiene.



Back-to-wall spatula lever

Wall mounted basin without overflow for additional hygiene and right or left hand tap position for easier access.

Thermostatic Sequential Mixer. TMV3 approved to prevent scalding.

Thermostat is within mixer (not separate as with other suppliers). This cuts down risk of legionella bacteria forming between separate thermostat and mixer.

Easy operation handle.

Raised height WC set at 480mm for wheelchair height access.

4.5 litre water saving flush.

Concealed cistern provides hygiene and access benefits.

WC back support cushion for improved comfort.

Toilet-roll holder.

Concealed fixing grab rails tested to 200kg.

Hinged support arm tested to 200kg.

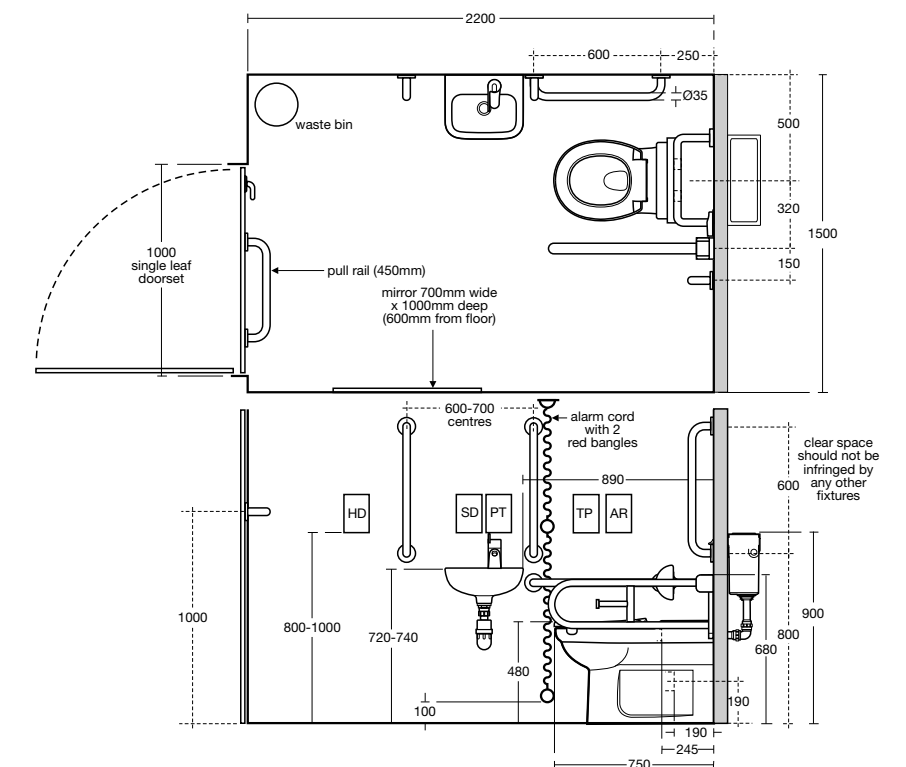
Available with white or blue rails and seat or with stainless steel rails and grey seat.

LANTAC approved.

Contour 21 back-to-wall WC concealed Doc M pack - product codes

Left hand	Right hand
■ S6968AC White with white rails and seat.	■ S6969AC White with white rails and seat.
■ S6968LI White with blue rails and seat.	■ S6969LI White with blue rails and seat.
■ S6968MY White with stainless steel rails and grey seat.	■ S6969MY White with stainless steel rails and grey seat.

For complete technical information please call 0870 122 8822



## contour 21 close coupled WC doc m pack with standing height basin

The ideal solution in single toilet buildings. In addition to the LANTAC approved 'disabled features' this pack has an additional basin for use by the able bodied. A solution for everybody.

370mm wall mounted basin without overflow for additional hygiene and right or left hand tap position for easier access.

500mm Portman basin set at standing height.

Thermostat Sequential Mixer. TMV3 approved to prevent scalding.

Thermostat is within mixer (not separate as with other suppliers). This cuts down risk of legionella bacteria forming between separate thermostat and mixer.

Easy operation handle.

Toilet roll holder.

Raised height WC set at 480mm for wheelchair height access.

4.5 litre water saving flush.

Cistern lid is screwed down to cistern for improved safety.

Spatula lever on cistern for easy flushing with hand or elbow.

Concealed fixing grab rails tested to 200kg.

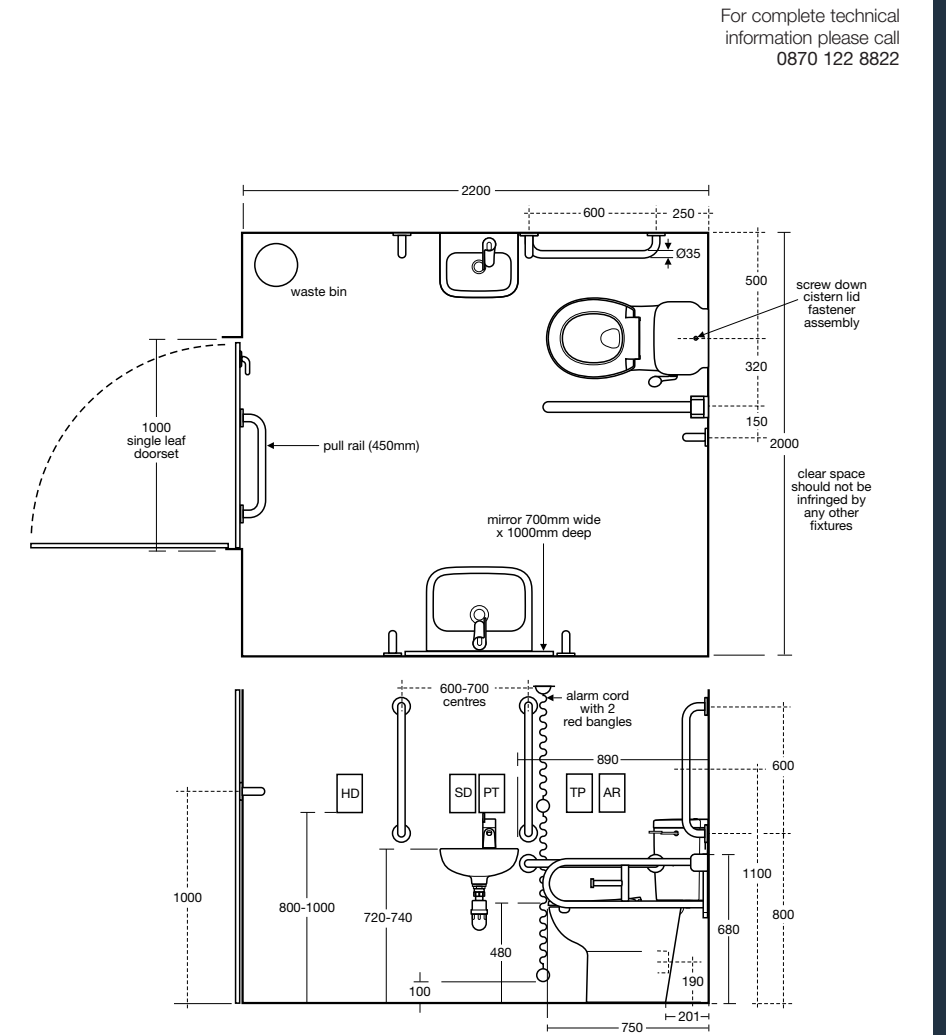
Hinged support arm tested to 200kg.

Available with white or blue rails and seat or with stainless steel rails and grey seat. LANTAC approved.



### Close coupled WC Doc m pack with standing height basin - product codes

White rails and seat	Blue rails and seat	Stainless steel rails and grey seat
<ul style="list-style-type: none"> <li>■ S6966AC Close coupled WC pack with white rails and seat (left hand).</li> <li>■ S6967AC Close coupled WC pack with white rails and seat (right hand).</li> </ul>	<ul style="list-style-type: none"> <li>■ S6966LI Close coupled WC pack with blue rails and seat (left hand).</li> <li>■ S6967LI Close coupled WC pack with blue rails and seat (right hand).</li> </ul>	<ul style="list-style-type: none"> <li>■ S6966MY Close coupled WC pack with stainless steel rails and grey seat (left hand).</li> <li>■ S6967MY Close coupled WC pack with stainless steel rails and grey seat (right hand).</li> </ul>
S231101 Portman 21 500mm basin with one taphole, overflow, no chainstay hole.	S231101 Portman 21 500mm basin with one taphole, overflow, no chainstay hole.	S231101 Portman 21 500mm basin with one taphole, overflow, no chainstay hole.
S913967 S4169AA Aluminium support bracket. Contour 21 Thermostatic Basin Mixer.	S913967 S4169AA Aluminium support bracket. Contour 21 Thermostatic Basin Mixer.	S913967 S4169AA Aluminium support bracket. Contour 21 Thermostatic Basin Mixer.
S8733AA 1 1/4" swivel plug waste with slotted tail.	S8733AA 1 1/4" swivel plug waste with slotted tail.	S8733AA 1 1/4" swivel plug waste with slotted tail.
S891067 1 1/4" white plastic bottle trap.	S891067 1 1/4" white plastic bottle trap.	S891067 1 1/4" white plastic bottle trap.
■ S6454AC 2 x 600mm white grab rails.	■ S6454LI 2 x 600mm blue grab rails.	■ S6454MY 2 x 600mm stainless steel grab rails.



### contour 21 peninsular doc m pack

Designed especially to provide wheelchair access to the WC from either side, the functional ergonomics of the close coupled WC and twin grab rails produce a washroom of ultimate convenience.

Large basin.

Thermostatic Sequential Mixer. TMV3 Approved to prevent scalding. Thermostat is within mixer (not separate as with other suppliers). This cuts down risk of legionella bacteria forming between separate thermostat and mixer. Easy operation handle.

Raised height WC set at 480mm for wheelchair height access.

4.5 litre water saving flush.

Cistern lid is screwed down to cistern for improved safety.

Spatula lever on cistern for easy flushing with hand or elbow.

Reversible for use by right and left-handed wheelchair users.

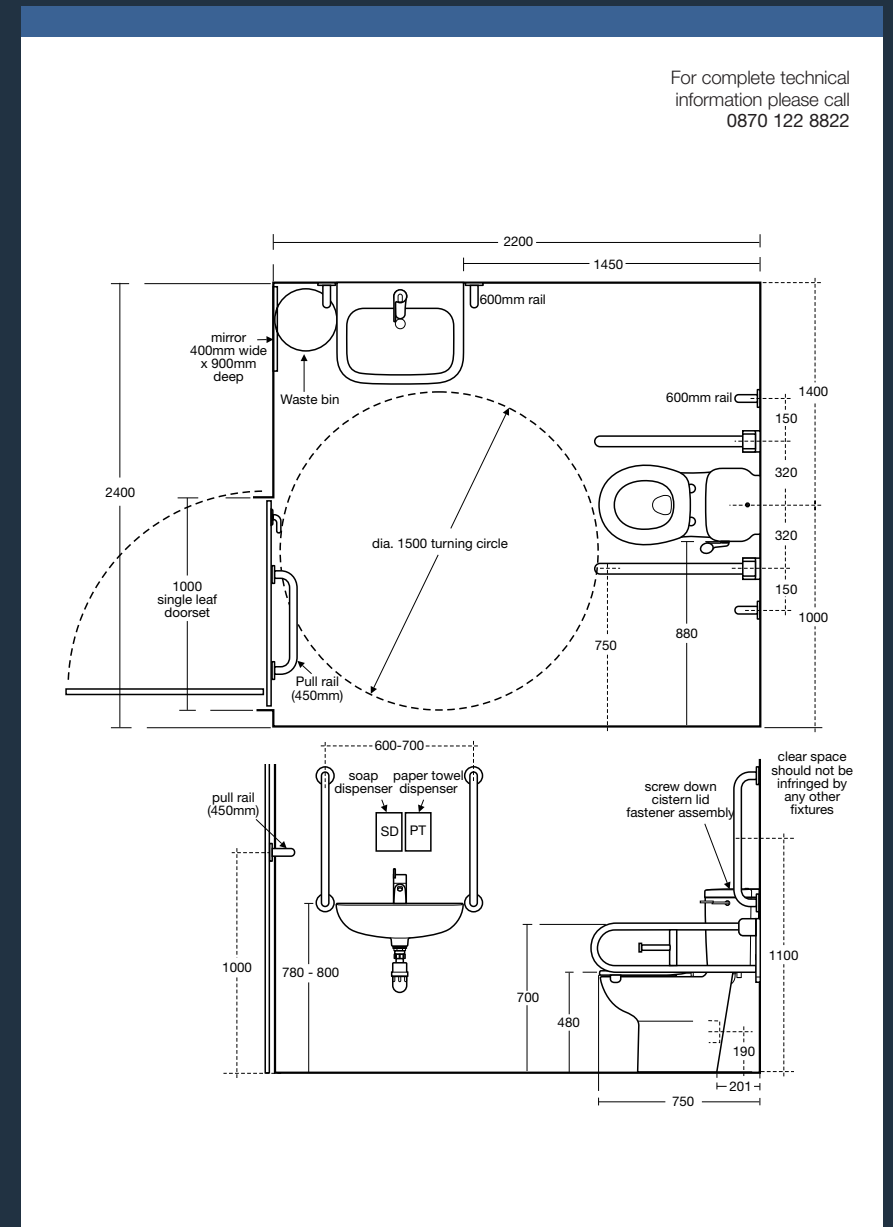
Concealed fixing grab rails tested to 200kg.

Hinged support arm tested to 200kg.

Available with white or blue rails and seat or with stainless steel rails and grey seat.

#### Contour 21 peninsular Doc M pack - product codes

- S6959AC White with white rails and seat.
- S6959LI White with blue rails and seat.
- S6959MY White with stainless steel rails and grey seat.



## contour 21 ambulant doc m pack

While the mobility impaired or infirm may not need the support of a full disabled washroom, they will benefit from the ease of use achieved as a result of the raised height WC and helpful grab-rails in this pack.

For use by ambulant disabled mobility impaired and the infirm.

Raised height WC set at 480mm for easier access.

Concealed cistern provides hygiene and access benefits.

Concealed fixing grab rails tested to 200kg.

Available with white or blue rails and seat or with stainless steel rails and grey seat.

CLOSED COUPLED WC OPTION

Raised height close coupled WC set at 480mm for wheelchair height access.

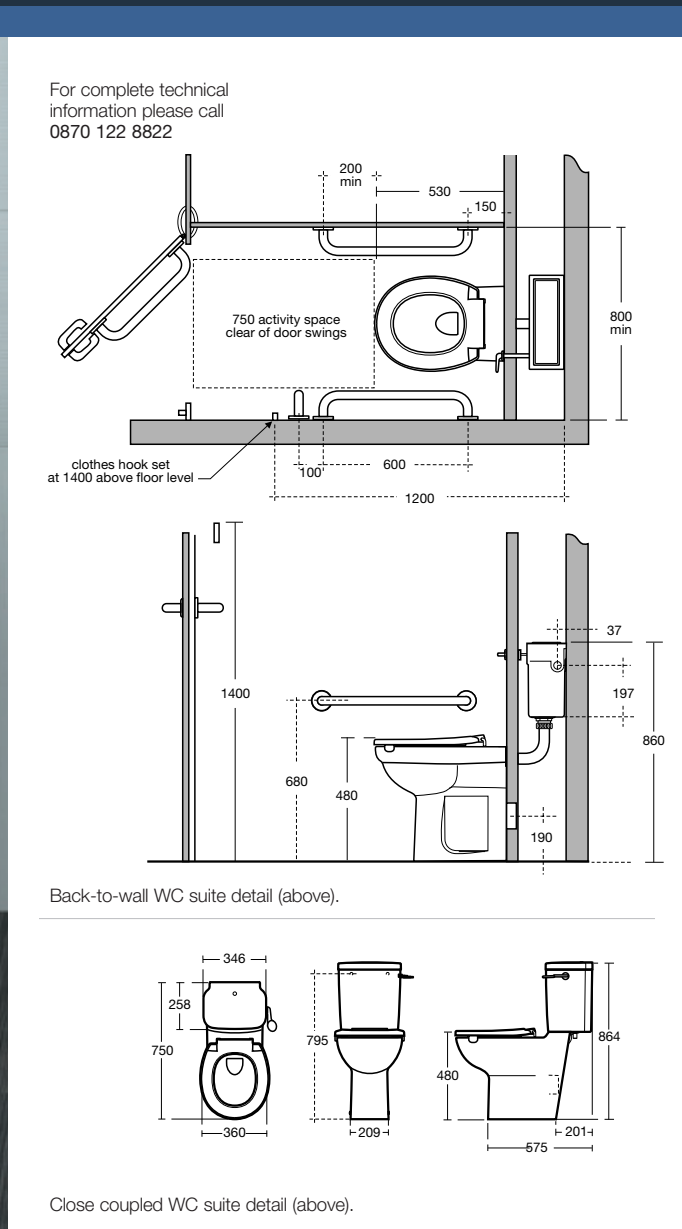
### Contour 21 ambulant Doc M pack - product codes

#### with concealed cistern

- S6957AC White with white rails and seat.
- S6957LI White with blue rails and seat.
- S6957MY White with stainless steel rails and grey seat.

#### with close coupled WC

- S6958AC White with white rails and seat.
- S6958LI White with blue rails and seat.
- S6958MY White with stainless rails and grey seat.



## contour 21 enlarged cubicle

Sometimes all a person needs is more space. An enlarged cubicle provides the extra room a pensioner with a walking frame, or a mother with a small child, or a businessman with two suitcases and a laptop, needs to make things a little easier.



Contour 21 enlarged cubicle - product codes	
White rails and seat	Blue rails and seat
<ul style="list-style-type: none"> <li>with white rails and seat</li> </ul>	<ul style="list-style-type: none"> <li>with blue rails and seat</li> </ul>
S305601 Contour 21 WC rimless pan with horizontal outlet.	S305601 Contour 21 WC rimless pan with horizontal outlet.
S362467 Conceala 2 cistern, 3-4.5 litre, with dual pneumatic flush.	S362467 Conceala 2 cistern, 6 litre, with dual pneumatic flush.
S4504MY Armitage Shanks Contemporary flush plate in stainless steel.	S4504MY Armitage Shanks Contemporary flush plate in stainless steel.
S406601 Contour 21 seat, no cover, chrome hinges.	S406601 Contour 21 seat, no cover, chrome hinges.
S6452AC 1 x 450mm white grab rail.	S6452LI 1 x 450mm blue grab rail.
S5093AC White clothes hook.	S5093LI Blue clothes hook.
S6454AC 2 x 600mm white grab rails.	S6454LI 2 x 600mm blue grab rails.

Designed for those who need extra space.

Ambulant disabled, mobility impaired, people with babies or small children and those carrying luggage.

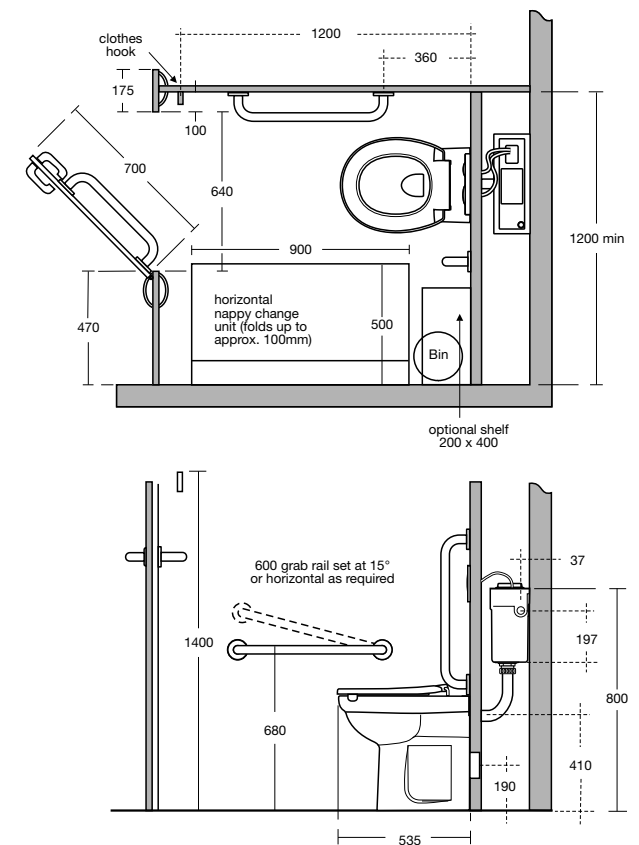
Contour rimless WC for easy cleaning and increased hygiene.

Concealed cistern with dual flush push button. Plate can be removed for access to cistern.

Concealed fixing grab rails tested to 200kg.

Available with white or blue rails and seat.

For complete technical information please call 0870 122 8822



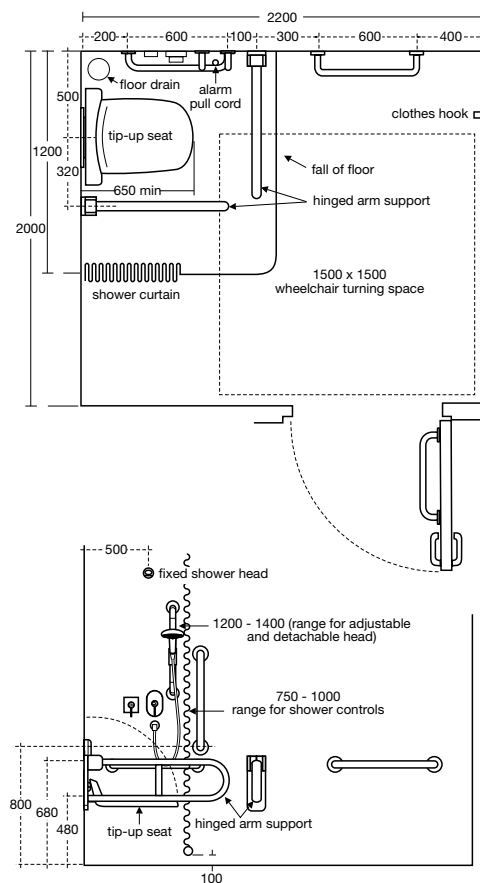
## contour 21 doc m shower pack

A wheelchair accessible shower facility that has the flexibility and functionality to meet the needs of a wide range of users; fixed shower head, moveable shower head; grab rails and a seat, all combine in one practical facility.

### Contour 21 Doc M shower pack - product codes

- S6960AC White with white rails.
- S6960LI White with blue rails.
- S6960MY White with stainless steel rails.

For complete technical information please call 0870 122 8822



Accessible shower and changing area for wheelchair and care assisted use.

Easily adjusted diverter for fixed or moveable shower head.

Friction hand set for easy up and down movement on rail.

Lever operated thermostatic valve to deliver safe, stable hot water at a set temperature.

Hinged seat and back support.

Concealed fixing grab rails tested to 200kg.

Hinged support arm tested to 200kg.

Available with white, blue or stainless steel rails.

**OPTION**  
Also available with corner WC and basin, see Blue Book for further details.

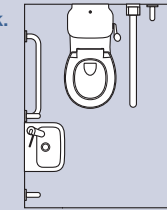


part m  
washrooms  
product  
overview

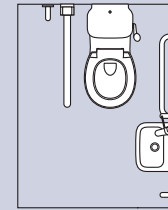


How to select your part m pack

Left hand pack.



Right hand pack.



p18

sensorflow 21 doc m pack



Striking contemporary design and proven Sensorflow technology create a state of the art Part M compliant facility, whose sensor activated electronic basin mixer and WC flush eliminate the need for manual operation.

Wall mounted basin without overflow for additional hygiene and right or left hand tap position for easier access.  
Compact deck mounted basin fitting with built in sensor.  
Sensor is activated electronically eliminating the need for manual operation.

Wall mounted WC designed for easy wheelchair access.  
4.5 litre water saving flush.  
Luxury back support.  
Surface mounted electronic WC flush control, activated by hand movement in front of the sensor eliminating the need for manual operation.

Toilet roll holder.  
Stylish concealed fixings grab rails in chrome.  
Lightweight luxury aluminium hinged support arm.

Sensorflow 21 Doc M pack - product codes

Left hand	Right hand
<p>■ S6986AA White with chrome rails and white seat.</p>	<p>■ S6987AA White with chrome rails and white seat.</p>

p20

contour 21 wall-mounted wc doc m pack



Clean modern lines and elegant fixtures lift this pack beyond the users level of expectation. From the wall-hung WC to the chrome or satin finish grab rails this is a disabled washroom of distinction.

Wall mounted basin without overflow for additional hygiene and right or left hand tap position for easier access.  
Thermostatic Sequential Mixer. TMV3 approved to prevent scalding.

Thermostat is within mixer (not separate as with other suppliers). This cuts down risk of legionella bacteria forming between separate thermostat and mixer.  
Easy operation handle.  
Wall-mounted WC designed for easy wheelchair access.  
4.5 litre water saving flush.  
Luxury back support.

Push button flushing control.  
Toilet-roll holder.  
Stylish concealed fixing grab rails finished in chrome or stainless steel.  
Lightweight luxury aluminium hinged support arm.  
LANTAC approved.

Contour 21 wall-mounted WC Doc M pack - product codes

Left hand	Right hand
<p>■ S6972AA White with chrome rails and white seat.</p> <p>■ S6972MY White with stainless steel rails and grey seat.</p>	<p>■ S6973AA White with chrome rails and white seat.</p> <p>■ S6973MY White with stainless steel rails.</p>

**p22**

### contour 21 close coupled WC doc m pack

LANTAC approved, this economical, simply styled, practical pack features a raised height WC, thermostatically controlled mixer, spatula flush lever and grab rails tested to over 200kg.



Wall mounted basin without overflow for additional hygiene and right or left hand tap position for easier access.

Thermostatic Sequential Mixer. TMV3 approved to prevent scalding.

Thermostat is within mixer (not separate as with other suppliers). This cuts down risk of legionella bacteria forming between separate thermostat and mixer.

Easy operation handle.

Raised height WC set at 480mm for wheelchair height access.

4.5 litre water saving flush.

Cistern lid is screwed down to cistern for improved safety.

Spatula lever on cistern for easy flushing with hand or elbow.

Toilet-roll holder.

Concealed fixing grab rails tested to 200kg weight.

Hinged support arm tested to 200kg.

Available with white or blue rails and seat or with stainless steel rails and grey seat.


LANTAC approved.

Contour 21 close coupled WC Doc M pack - product codes	
Left hand	Right hand
□ S6966AC White with white rails and seat.	□ S6967AC White with white rails and seat.
■ S6966LI White with blue rails and seat.	■ S6967LI White with blue rails and seat.
■ S6966MY White with stainless steel rails and grey seat.	■ S6967MY White with stainless steel rails and grey seat.

**p26**

### contour 21 back-to-wall WC concealed doc m pack

For washrooms having concealed cisterns, this pack is the perfect partner. A 480mm high WC is fed by a cistern hidden by block-work or panelling, to minimise clutter and maximise hygiene.



Wall mounted basin without overflow for additional hygiene and right or left hand tap position for easier access.

Thermostatic Sequential Mixer. TMV3 approved to prevent scalding.

Thermostat is within mixer (not separate as with other suppliers). This cuts down risk of legionella bacteria forming between separate thermostat and mixer.

Easy operation handle.

Raised height WC set at 480mm for wheelchair height access.

4.5 litre water saving flush.

Concealed cistern provides hygiene and access benefits.

Spatula lever on cistern for easy flushing with hand or elbow.

WC back support cushion for improved comfort.

Toilet-roll holder.

Concealed fixing grab rails tested to 200kg.

Hinged support arm tested to 200kg.

Available with white or blue rails and seat or with stainless steel rails and grey seat.

LANTAC approved.

Contour 21 back-to-wall WC concealed Doc M pack - product codes	
Left hand	Right hand
□ S6968AC White with white rails and seat.	□ S6969AC White with white rails and seat.
■ S6968LI White with blue rails and seat.	■ S6969LI White with blue rails and seat.
■ S6968MY White with stainless steel rails and grey seat.	■ S6969MY White with stainless steel rails and grey seat.

**p24**

### standard doc m pack

Solid and simple. Comfortable and compact. With a raised height WC and spacer box providing the easiest possible wheelchair to WC transfer, the standard pack is all you need in a disabled washroom.



Wall mounted basin without overflow for additional hygiene and right or left hand tap position for easier access.

Thermostatic Sequential Mixer. TMV3 approved to prevent scalding.

Thermostat is within mixer (not separate as with other suppliers). This cuts down risk of legionella bacteria forming between separate thermostat and mixer.

Easy operation handle.

Raised height WC set at 480mm, to top of seat, for wheelchair height access.

4.5 litre water saving flush.

WC back support cushion for improved comfort.

Spacer box provides correct WC projection for wheelchair access.

Concealed fixing grab rails tested to 210kg.

Hinged support arm tested to 190kg.

Available with white or blue rails and seat.

LANTAC approved.

Standard Doc M pack - product codes	
Left hand	Right hand
□ S6984AC White with white rails and seat.	□ S6985AC White with white rails and seat.
■ S6984LI White with blue rails and seat.	■ S6985LI White with blue rails and seat.

**p28**

### contour 21 close coupled WC doc m pack with standing height basin

The ideal solution in single toilet buildings. In addition to the LANTAC approved 'disabled features' this pack has an additional basin for use by the able bodied. A solution for everybody.



370mm wall mounted basin without overflow for additional hygiene and right or left hand tap position for easier access.

500mm Portman basin set at standing height.

Thermostatic Sequential Mixer. TMV3 approved to prevent scalding.

Thermostat is within mixer (not separate as with other suppliers). This cuts down risk of legionella bacteria forming between separate thermostat and mixer.

Easy operation handle.

Toilet roll holder.

Raised height WC set at 480mm for wheelchair height access.

4.5 litre water saving flush.

Cistern lid is screwed down to cistern for improved safety.

Spatula lever on cistern for easy flushing with hand or elbow.

Concealed fixing grab rails tested to 200kg.

Hinged support arm tested to 200kg.


Available with white or blue rails and seat or with stainless steel rails and grey seat.

LANTAC approved.

Contour 21 close coupled WC Doc M pack with standing height basin - product codes, see page 28.

**p30**

### contour 21 peninsular doc m pack



Designed especially to provide wheelchair access to the WC from either side, the functional ergonomics of the close coupled WC and twin grab rails produce a washroom of ultimate convenience.


Large basin. Thermostatic Sequential Mixer. TMV3 Approved to prevent scalding. Thermostat is within mixer (not separate as with other suppliers). This cuts down risk of legionella bacteria forming between separate thermostat and mixer. Easy operation handle.	Raised height WC set at 480mm for wheelchair height access. 4.5 litre water saving flush. Cistern lid is screwed down to cistern for improved safety. Spatula lever on cistern for easy flushing with hand or elbow.	Reversible for use by right and left-handed wheelchair users. Concealed fixing grab rails tested to 200kg. Hinged support arm tested to 200kg. Available with white or blue rails and seat or with stainless steel rails and grey seat.
---	---	--

**Contour 21 peninsular Doc M pack - product codes**

<input type="checkbox"/> S6959AC White with white rails and seat.
<input checked="" type="checkbox"/> S6959LI White with blue rails and seat.
<input checked="" type="checkbox"/> S6959MY White with stainless steel rails and grey seat.

**p34**

### contour 21 enlarged cubicle



Sometimes all a person needs is more space. An enlarged cubicle provides the extra room a pensioner with a walking frame, or a mother with a small child, or a businessman with two suitcases and a laptop, needs to make things a little easier.

Designed for those who need extra space. Ambulant disabled, mobility impaired, people with babies or small children and those carrying luggage. Contour rimless WC for easy cleaning and increased hygiene.	Concealed cistern with dual flush push button. Plate can be removed for access to cistern. Concealed fixing grab rails tested to 200kg. Available with white or blue rails and seat.
---	--

**Contour 21 Enlarged Cubicle - product codes, see page 34.**

**p32**

### contour 21 ambulant doc m pack



While the mobility impaired or infirm may not need the support of a full disabled washroom, they will benefit from the ease of use achieved as a result of the raised height WC and helpful grab-rails in this pack.

For use by ambulant disabled mobility impaired and the infirm. Raised height WC set at 480mm for easier access. Concealed cistern provides hygiene and access benefits. Concealed fixing grab rails tested to 200kg. Available with white or blue rails and seat or with stainless steel rails and grey seat.	<b>CLOSED COUPLED WC OPTION</b> Raised height close coupled WC set at 480mm for wheelchair height access.
---	--

**Contour 21 ambulant Doc M pack - product codes**

with concealed cistern	with close coupled WC
<input type="checkbox"/> S6957AC White with white rails and seat.	<input type="checkbox"/> S6958AC White with white rails and seat.
<input checked="" type="checkbox"/> S6957LI White with blue rails and seat.	<input checked="" type="checkbox"/> S6958LI White with blue rails and seat.
<input checked="" type="checkbox"/> S6957MY White with stainless steel rails and grey seat.	<input checked="" type="checkbox"/> S6958MY White with stainless rails and grey seat.

**p36**

### contour 21 doc m shower pack



A wheelchair accessible shower facility that has the flexibility and functionality to meet the needs of a wide range of users; fixed shower head, moveable shower head; grab rails and a seat, all combine in one practical facility.

Accessible shower and changing area for wheelchair and care assisted use. Easily adjusted diverter for fixed or moveable shower head. Friction hand set for easy up and down movement on rail. Lever operated thermostatic valve to deliver safe, stable hot water at a set temperature.	Hinged seat and back support. Concealed fixing grab rails tested to 200kg. Hinged support arm tested to 200kg. Available with white, blue or stainless steel rails. <b>OPTION</b> Also available with corner WC and basin, see Blue Book for further details.
---	--

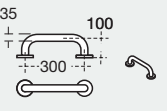
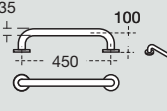
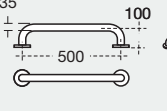
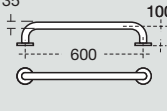
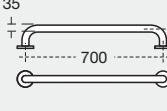
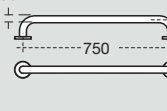
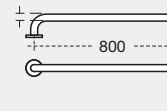
**Contour 21 Doc M shower pack - product codes**

<input type="checkbox"/> S6960AC White with white rails.
<input checked="" type="checkbox"/> S6960LI White with blue rails.
<input checked="" type="checkbox"/> S6960MY White with stainless steel rails.

**Q: if the position of grab-rails is prescribed, can their shape and colour be varied to suit individual projects?**

**A: several different styles and finishes are available that will comply with part m when installed correctly.**

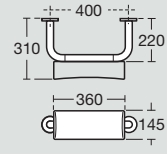
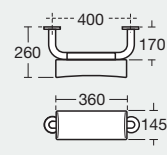
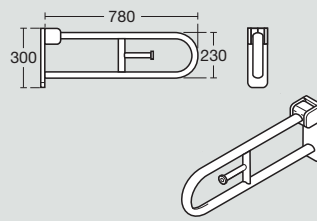
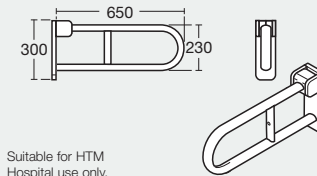
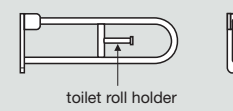
### contour 21 straight grab rails

grab rails	code and description	colour	
30cm		S6450AC 30cm White straight grab rail.	□
		S6450MY 30cm Stainless steel straight grab rail.	■
		S6450LJ 30cm Grey straight grab rail.	■
		S645036 30cm Blue straight grab rail.	■
		S6450RN 30cm Charcoal straight grab rail.	■
45cm		S6452AC 45cm White straight grab rail. (current equivalent S6765AC)	□
		S6452MY 45cm Stainless steel straight grab rail. (current equivalent S6765MY)	■
		S6452LJ 45cm Grey straight grab rail.	■
		S645236 45cm Blue straight grab rail. (current equivalent S6765LI)	■
		S6452RN 45cm Charcoal straight grab rail.	■
50cm		S6453AC 50cm White straight grab rail. (current equivalent S6766AC)	□
		S6453MY 50cm Stainless steel straight grab rail. (current equivalent S6766MY)	■
		S6453LJ 50cm Grey straight grab rail.	■
		S645336 50cm Blue straight grab rail. (current equivalent S6766LI)	■
		S6453RN 50cm Charcoal straight grab rail.	■
60cm		S6454AC 60cm White straight grab rail. (current equivalent S6730AC)	□
		S6454MY 60cm Stainless steel straight grab rail. (current equivalent S6730MY)	■
		S6454LJ 60cm Grey straight grab rail.	■
		S645436 60cm Blue straight grab rail. (current equivalent S6730LI)	■
		S6454RN 60cm Charcoal straight grab rail.	■
70cm		S6455AC 70cm White straight grab rail. (current equivalent S6768AC)	□
		S6455MY 70cm Stainless steel straight grab rail. (current equivalent S6768MY)	■
		S6455LJ 70cm Grey straight grab rail.	■
		S645536 70cm Blue straight grab rail. (current equivalent S6768LI)	■
		S6455RN 70cm Charcoal straight grab rail.	■
75cm		S6456AC 75cm White straight grab rail. (current equivalent S6769AC)	□
		S6456MY 75cm Stainless steel straight grab rail. (current equivalent S6769MY)	■
		S6456LJ 75cm Grey straight grab rail.	■
		S645636 75cm Blue straight grab rail. (current equivalent S6769LI)	■
		S6456RN 75cm Charcoal straight grab rail.	■
80cm		S6457AC 80cm White straight grab rail.	□
		S6457MY 80cm Stainless steel straight grab rail.	■
		S6457LJ 80cm Grey straight grab rail.	■
		S645736 80cm Blue straight grab rail.	■
		S6457RN 80cm Charcoal straight grab rail.	■

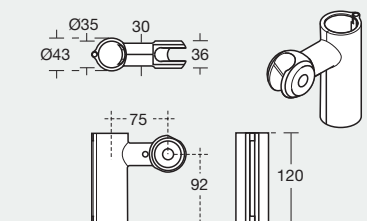
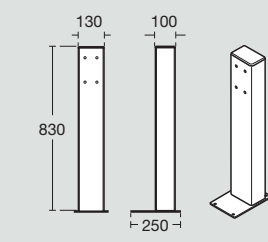
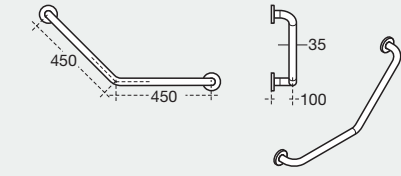
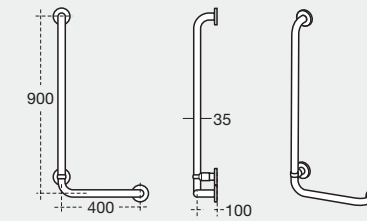
### contour 21 straight grab rails

grab rails	code and description	colour	
90cm		S6458AC 90cm White straight grab rail.	□
		S6458MY 90cm Stainless steel straight grab rail.	■
		S6458LJ 90cm Grey straight grab rail.	■
		S645836 90cm Blue straight grab rail.	■
		S6458RN 90cm Charcoal straight grab rail.	■
100cm		S6459AC 100cm White straight grab rail.	□
		S6459MY 100cm Stainless steel straight grab rail.	■
		S6459LJ 100cm Grey straight grab rail.	■
		S645936 100cm Blue straight grab rail.	■
		S6459RN 100cm Charcoal straight grab rail.	■
110cm		S6460AC 110cm White straight grab rail.	□
		S6460MY 110cm Stainless steel straight grab rail.	■
		S6460LJ 110cm Grey straight grab rail.	■
		S646036 110cm Blue straight grab rail.	■
		S6460RN 110cm Charcoal straight grab rail.	■
120cm		S6461AC 120cm White straight grab rail. (current equivalent S6767AC)	□
		S6461MY 120cm Stainless steel straight grab rail. (current equivalent S6767MY)	■
		S6461LJ 120cm Grey straight grab rail.	■
		S646136 120cm Blue straight grab rail. (current equivalent S6767LI)	■
		S6461RN 120cm Charcoal straight grab rail.	■
175cm		S6462AC 175cm White straight grab rail.	□
		S6462MY 175cm Stainless steel straight grab rail.	■
		S6462LJ 175cm Grey straight grab rail.	■
		S646236 175cm Blue straight grab rail.	■
		S6462RN 175cm Charcoal straight grab rail.	■


## contour 21 grab rails

grab rails	code and description	colour
<b>back rest rails and cushions</b>		
40 x 22cm 	S6466AC 40 x 22cm White back rest – without cushion. For use with 75cm projection pan. (current equivalent S6781AC)	■
	S6466MY 40 x 22cm Stainless steel back rest – without cushion. For use with 75cm projection pan. (current equivalent S6781MY)	■
	S6466LJ 40 x 22cm Grey back rest – without cushion. For use with 75cm projection pan.	■
	S646636 40 x 22cm Blue back rest – without cushion. For use with 75cm projection pan. (current equivalent S6781LJ)	■
	S6466RN 40 x 22cm Charcoal back rest – without cushion. For use with 75cm projection pan.	■
40 x 17cm 	S6481AC 40 x 17cm White back rest – without cushion. For use with 70cm projection pan.	■
	S6481MY 40 x 17cm Stainless steel back rest – without cushion. For use with 70cm projection pan.	■
	S6481LJ 40 x 17cm Grey back rest – without cushion. For use with 70cm projection pan.	■
	S648136 40 x 17cm Blue back rest – without cushion. For use with 70cm projection pan.	■
	S6481RN 40 x 17cm Charcoal back rest – without cushion. For use with 70cm projection pan.	■
	S688467 Backrest cushion, support and clips.	
<b>support arms</b>		
78cm 	S6467AC White 78cm hinged support arm. Part M compliant. (current equivalent S6912AC)	■
	S6467MY Stainless steel 78cm hinged support arm. Part M compliant. (current equivalent S6912MY)	■
	S6467LJ Grey 78cm hinged support arm. Part M compliant.	■
	S646736 Blue 78cm hinged support arm. Part M compliant. (current equivalent S6912LJ)	■
	S6467RN Charcoal 78cm hinged support arm. Part M compliant.	■
	65cm  <small>Suitable for HTM Hospital use only.</small>	S6482AC White 65cm hinged support arm. HTM64 compliant.
S6482MY Stainless steel 65cm hinged support arm. HTM64 compliant.		■
S6482LJ Grey 65cm hinged support arm. HTM64 compliant.		■
S648236 Blue 65cm hinged support arm. HTM64 compliant.		■
S6482RN Charcoal 65cm hinged support arm. HTM64 compliant.		■
 toilet roll holder	S6468AC White toilet roll holder for hinged support arm. (current equivalent S6914AC)	■
	S6468MY Stainless steel toilet roll holder for hinged support arm. (current equivalent S6914MY)	■
	S6468LJ Grey toilet roll holder for hinged support arm.	■
	S646836 Blue toilet roll holder for hinged support arm. (current equivalent S6914LJ)	■
	S6467RN Charcoal toilet roll holder for hinged support arm.	■

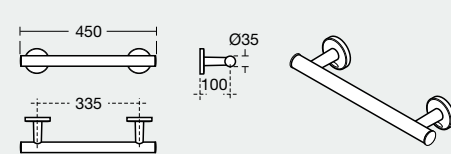
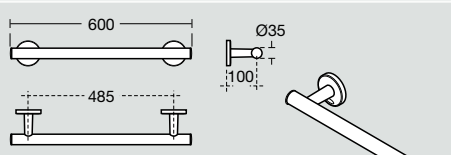
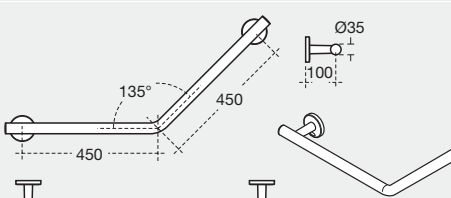
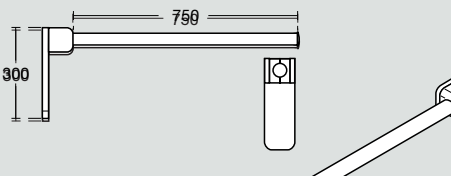
## contour 21 grab rails

grab rails	code and description	colour
<b>support arms</b>		
	S6347AC White handset holder – fixes to grab rails.	■
	S6347AA Chrome handset holder – fixes to grab rails.	■
	S6347LJ Grey handset holder – fixes to grab rails.	■
	S634736 Blue handset holder – fixes to grab rails.	■
	S6347RN Charcoal handset holder – fixes to grab rails.	■
	S6470AC White floor mounting vertical support bracket for hinged or fixed support arm.	■
	S6470MY Stainless steel floor mounting vertical support bracket for hinged or fixed support arm.	■
	S6470LJ Grey floor mounting vertical support bracket for hinged or fixed support arm.	■
	S647036 Blue floor mounting vertical support bracket for hinged or fixed support arm.	■
	S6470RN Charcoal floor mounting vertical support bracket for hinged or fixed support arm.	■
<b>cranked grab rails</b>		
45 x 45cm 	S6472AC White 45 x 45cm cranked grab rail.	■
	S6472MY Stainless steel 45 x 45cm cranked grab rail.	■
	S6472LJ Grey 45 x 45cm cranked grab rail.	■
	S647236 Blue 45 x 45cm cranked grab rail.	■
	S6472RN Charcoal 45 x 45cm cranked grab rail.	■
<b>angled grab rails</b>		
90 x 40cm  <small>as above</small>	S6473AC White 90 x 40cm angled shower grab rail – right hand. (current equivalent S6779AC)	■
	S6473MY Stainless steel 90 x 40cm angled shower grab rail – right hand. (current equivalent S6779MY)	■
	S6473LJ Grey 90 x 40cm angled shower grab rail – right hand.	■
	S647336 Blue 90 x 40cm angled shower grab rail – right hand. (current equivalent S6779LJ)	■
	S6473RN Charcoal 90 x 40cm angled shower grab rail – right hand.	■
	S6474AC White 90 x 40cm angled shower grab rail – left hand. (current equivalent S6778AC)	■
	S6474MY Stainless steel 90 x 40cm angled shower grab rail – left hand. (current equivalent S6778MY)	■
	S6474LJ Grey 90 x 40cm angled shower grab rail – left hand.	■
	S647436 Blue 90 x 40cm angled shower grab rail – left hand. (current equivalent S6778LJ)	■
	S6474RN Charcoal 90 x 40cm angled shower grab rail – left hand.	■

## contour 21 grab rails

grab rails	code and description	colour
<b>ceiling grab poles for baths</b>		
40cm wall stay	 S6478AC White floor to ceiling adjustable grab pole. (current equivalent S6771AC)	□
	S6478MY Stainless steel floor to ceiling adjustable grab pole. (current equivalent S6771MY)	■
	S6478LJ Grey floor to ceiling adjustable grab pole.	■
	S647836 Blue floor to ceiling adjustable grab pole. (current equivalent S6771L)	■
	S6478RN Charcoal floor to ceiling adjustable grab pole.	■
	S6479AC White floor to ceiling adjustable grab pole with 40cm wall stay. (current equivalent S6772AC)	□
	S6479MY Stainless steel floor to ceiling adjustable grab pole with 40cm wall stay. (current equivalent S6772MY)	■
	S6479LJ Grey floor to ceiling adjustable grab pole with 40cm wall stay.	■
S647936 Blue floor to ceiling adjustable grab pole with 40cm wall stay. (current equivalent S6772L)	■	
S6479RN Charcoal floor to ceiling adjustable grab pole with 40cm wall stay.	■	

## contemporary 21 grab rails

grab rails	code and description	colour
45cm	 S6486AA Chrome plated 45cm handrail.	□
	S6486MY Stainless steel 45cm handrail.	■
60cm	 S6484AA Chrome plated 60cm handrail.	□
	S6484MY Stainless steel 60cm handrail.	■
44 x 45cm	 S6487AA Chrome plated 45cm x 45cm cranked wall rail.	□
	S6487MY Stainless steel plated 45cm x 45cm cranked wall rail.	■
80cm	 S6485AA Chrome plated 80cm drop down rail.	□
	S6485MY Chrome plated 80cm right hand drop down rail.	■

## guarantee

### lifetime

all ceramic products

### 5 years

on taps and mixers, toilet seats and cistern fittings

Our confidence in the quality and reliability of our product allows us to offer outstanding extended guarantees on all our products – where the product fails within 5/25 years/lifetime we offer a free replacement or replacement part (or nearest equivalent). So when your washroom has been satisfactorily installed and is working well, please ensure you register your guarantee.

This guarantee is transferable – it applies to the product not the purchaser provided the guarantee registration is passed on to the new owner.

Liability is limited to individual products and the guarantee does not cover the consequential loss or damage or installation costs. This guarantee does not affect your statutory rights. Products must be installed, used and cared for in line with our fixing instructions and local water regulations, and room must be adequately ventilated.

Parts (eg. flushvalves) are guaranteed for five years and will be replaced if found to be faulty. The guarantee does not cover general wear and tear.

Applies to UK and Republic of Ireland only.

You can register for guarantees on a bathroom bought on your behalf by a plumber or builder.

Colours printed in this book are as near as possible to the manufactured range of Armitage Shanks quality bathrooms. For accurate comparisons of colours, see actual ware on display at Armitage Shanks retailers. Our policy is one of continuous improvement and we reserve the right to change specification and design at any time without notice.

All measurements are in millimetres and are approximate. Products can be subject to tolerances due to manufacturing processes.



[www.reef-design.co.uk](http://www.reef-design.co.uk)



All tiles supplied by

**Grestec Tiles Limited**  
Unit 7  
Wheelbarrow Park Estate  
Pattenden Lane  
Marden  
Kent  
TN12 9QJ

T: 0845 130 2241  
F: 0845 130 2242  
E: [mail@grestec.co.uk](mailto:mail@grestec.co.uk)  
W: [www.grestec.co.uk](http://www.grestec.co.uk)

#### CREDITS

p07  
Floor tiles EGZ4245 300 x 300mm  
Wall tiles OM8829 25 x 25mm

p14  
Floor tiles APZ6234 600 x 300mm  
Wall tiles APB6241CHIS 600 x 300mm

p18  
Floor tiles EGC7012 600 x 600mm  
Wall tiles DYM9810 300 x 600mm

p20  
Floor tiles EGC7010 300 x 300mm

p22  
Floor tiles EGZ4245 300 x 300mm  
Wall tiles OM8829 25 x 25mm

p24  
Floor tiles EA6507 Satin 300 x 600mm

p28  
Floor tiles APZ6234 600 x 300mm  
Wall tiles APB6241CHIS 600 x 300mm

p30  
Floor tiles EP3203 300 x 300mm  
Wall tiles EGZ4245 300 x 300mm

p32  
Floor tiles APZ6234 600 x 300mm  
Wall tiles APB6241CHIS 600 x 300mm

p33  
Floor tiles EA6517 300 x 300mm  
Wall tiles EGZ4245 450 x 450mm

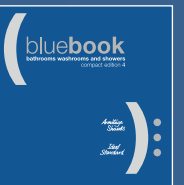
p34  
Floor tiles US7701 600 x 600mm  
Wall tiles APS3787 600 x 300mm

p37  
Wall tiles EA6550STR 100 x 600mm & 150 x 600mm  
Floor tiles EA6550STR 600 x 600mm

For further information on any of our products;

please call  
**0870 122 8822**

or visit  
[www.thebluebook.co.uk](http://www.thebluebook.co.uk)



The bluebook has long been the most comprehensive guide to bathroom and washroom products. Now the bluebook DVD provides an interactive version allowing you to navigate through more than 1250 pages of detailed drawings and specifications instantly. Once installed on your hard drive blue book can be automatically updated with the latest product information every time you go online.

A division of Ideal Standard (UK) Ltd.

© Armitage Shanks  
P1198(1) 11/10

#### Additional Resources

Further information about the Disability Discrimination Act is available from the following organisations.

Department for Work & Pensions  
[www.dwp.gov.uk](http://www.dwp.gov.uk)

Disability Rights Commission  
[www.drc-gb.org](http://www.drc-gb.org)

Direct Gov  
[www.direct.gov.uk](http://www.direct.gov.uk)

**technical helpline**  
**0870 122 8822**